

**QUANTUM 2 (QA-21031) (Version 2)**



**Product description**

2 sides



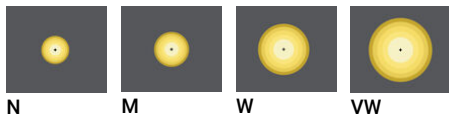
**Luminaire Structure**

- Die-cast aluminium housing
- Pre-treated before powder coating ensuring high corrosion resistance
- Single cable entry
- One cable gland supplied with 0.5 m of 3x1.0 sqmm outdoor cable

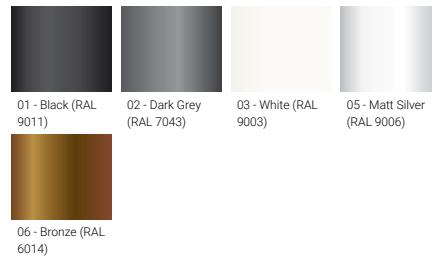
- Stainless steel fasteners in grade 304 with zinc flake coating (ZFC)
- Durable silicone rubber gasket
- High-efficiency optical reflector
- Clear toughened glass

- Integral control gear
- Surge protection 10kV

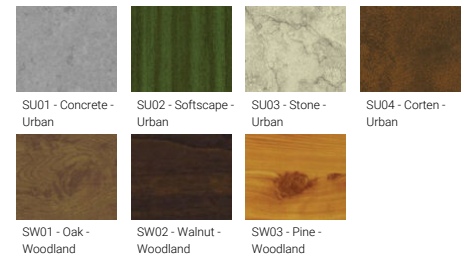
**Optic**



**Product colour**



**Special finishes upon request**



**QUANTUM 2 (QA-21031) (Version 2)**

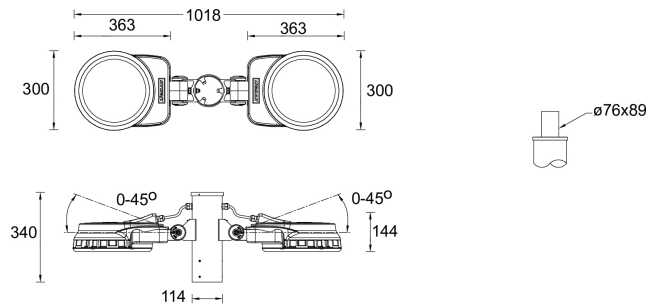
**Technical information**

<b>Material</b>	Aluminium
<b>Light source</b>	2 x 6 COB
<b>Power</b>	166 W
<b>Lumen</b>	15590 - 17484 lm
<b>Efficacy</b>	94 - 105 lm/W
<b>Driver option</b>	Integral control gear
<b>Driver</b>	Constant current (CC)
<b>Input voltage</b>	220-240 V 50/60 Hz

<b>Optic</b>	N, M, W, VW
<b>Optic value</b>	24°, 33°, 44°, 76°
<b>CCT / CRI</b>	3000K CRI80, 4000K CRI80
<b>Bug</b>	B3-U0-G0, B3-U0-G1, B4-U0-G0
<b>ULR</b>	0%
<b>ULOR</b>	0%
<b>CIE flux code n°3</b>	100, 99
<b>Dimming type</b>	On/Off, 1-10V, DALI

<b>Product colours</b>	Black, Dark Grey, White, Matt Silver, Bronze, Concrete - Urban, Softscape - Urban, Stone - Urban, Corten - Urban, Oak - Woodland, Walnut - Woodland, Pine - Woodland
<b>Weight</b>	20.0 kg
<b>Operating temperature</b>	-20 °C to 40 °C
<b>Cable</b>	One cable gland supplied with 0.5 m of 3x1.0 sqmm outdoor cable
<b>Through wiring</b>	Single cable entry
<b>Lens / Reflector / Optic</b>	High-efficiency optical reflector, Clear toughened glass
<b>Variants (On/Off, 1-10V, DALI)</b>	Compatible with EN/ IEC 60598-2-22: Suitable for emergency installations as central supply, non-maintained (Z0)

QA-21031



**Accessories**



DALI Control System  
Control-DALI