

QUANTUM 2 (QA-21034)



Product description

2 sides



Luminaire Structure

- Die-cast aluminium housing
- Pre-treated before powder coating ensuring high corrosion resistance
- Single cable entry
- One cable gland supplied with 0.5 m of 3x1.0 sqmm outdoor cable

- Stainless steel fasteners in grade 304 with zinc flake coating (ZFC)
- Durable silicone rubber gasket
- High-efficiency PMMA lens
- Clear toughened glass

- Integral control gear
- Surge protection 10kV

Optic



T2 T3 T4 ME

Product colour

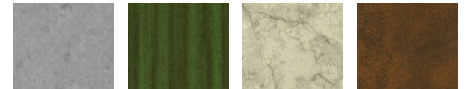


01 - Black (RAL 9011) 02 - Dark Grey (RAL 7043) 03 - White (RAL 9003) 05 - Matt Silver (RAL 9006)

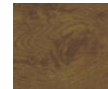


06 - Bronze (RAL 6014)

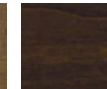
Special finishes upon request



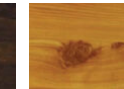
SU01 - Concrete - Urban SU02 - Softscape - Urban SU03 - Stone - Urban SU04 - Corten - Urban



SW01 - Oak - Woodland



SW02 - Walnut - Woodland



SW03 - Pine - Woodland

QUANTUM 2 (QA-21034)

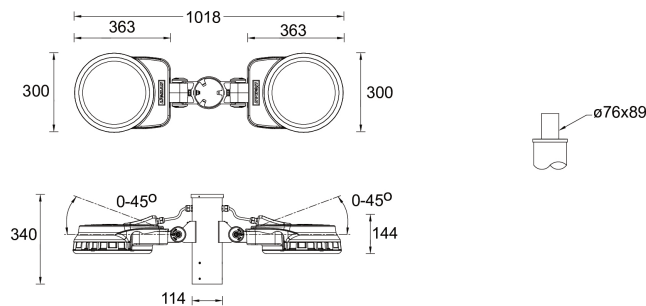
Technical information

Material	Aluminium
Light source	2 x 24 LED
Power	164 W
Lumen	14996 - 17328 lm
Efficacy	91 - 106 lm/W
Driver option	Integral control gear
Driver	Constant current (CC)
Input voltage	220-240 V 50/60 Hz

Optic	T2, T3, T4, ME
Optic value	147°x55°, 141°x75°, 96°x82°, 136°x58°
CCT / CRI	3000K, 4000K
Bug	B1-U0-G1, B2-U0-G1, B2-U0-G2
ULR	0%
ULOR	0%
CIE flux code n°3	97
Dimming type	On/Off, 1-10V, DALI

Product colours	Black, Dark Grey, White, Matt Silver, Bronze, Concrete - Urban, Softscape - Urban, Stone - Urban, Corten - Urban, Oak - Woodland, Walnut - Woodland, Pine - Woodland
Weight	20.0 kg
Operating temperature	-20 °C to 40 °C
Cable	One cable gland supplied with 0.5 m of 3x1.0 sqmm outdoor cable
Through wiring	Single cable entry
Lens / Reflector / Optic	High-efficiency PMMA lens, Clear toughened glass
Variants (On/Off, 1-10V, DALI)	Compatible with EN/ IEC 60598-2-22: Suitable for emergency installations as central supply, non-maintained (Z0)

QA-21034



Accessories



DALI Control System
Control-DALI