

QUANTUM 1 (QA-50003)



Product description

Small



Luminaire Structure

- Die-cast aluminium housing
- Pre-treated before powder coating ensuring high corrosion resistance
- Single cable entry, through wiring upon request
- One IP68 connector supplied with 0.2 m of 3x1.0 sqmm outdoor cable

- Stainless steel fasteners in grade 304 with zinc flake coating (ZFC)
- Durable silicone rubber gasket
- High-efficiency PMMA lens
- Clear toughened glass

- Integral control gear

Optic



VN

Product colour

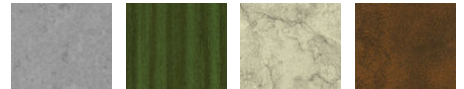


01 - Black (RAL 9011) 02 - Dark Grey (RAL 7043) 03 - White (RAL 9003) 05 - Matt Silver (RAL 9006)



06 - Bronze (RAL 6014)

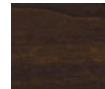
Special finishes upon request



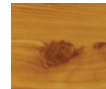
SU01 - Concrete - Urban SU02 - Softscape - Urban SU03 - Stone - Urban SU04 - Corten - Urban



SW01 - Oak - Woodland



SW02 - Walnut - Woodland



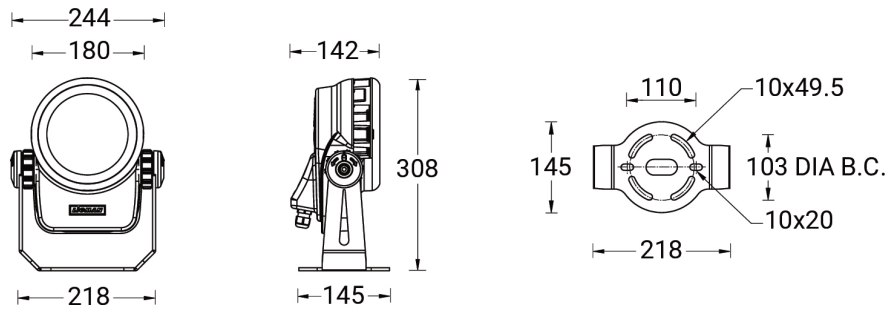
SW03 - Pine - Woodland

QUANTUM 1 (QA-50003)

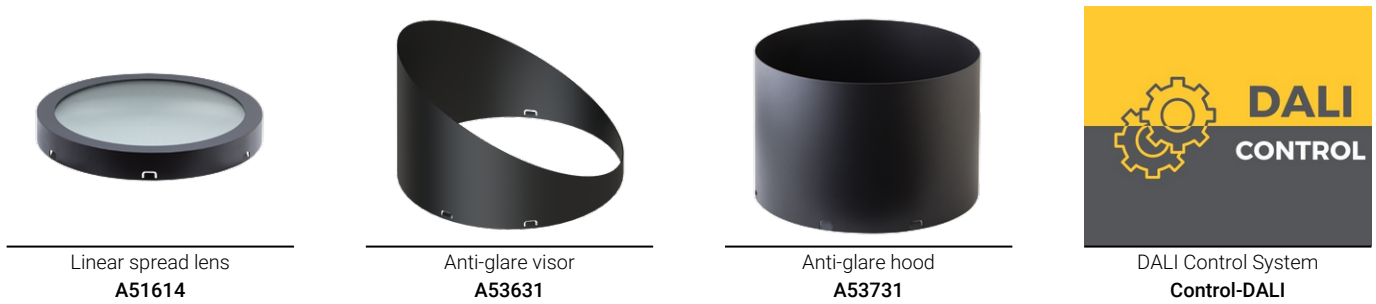
Technical information

Material	Aluminium	Optic value	8°	Operating temperature	-20 °C to 40 °C
Light source	7 LED	CCT / CRI	3000K, 4000K	Cable	One IP68 connector supplied with 0.2 m of 3x1.0 sqmm outdoor cable
Power	30 W	Bug	B3-U0-G0	Through wiring	Single cable entry, through wiring upon request
Lumen	2597 - 2790 lm	ULR	0%	Lens / Reflector / Optic	High-efficiency PMMA lens, Clear toughened glass
Efficacy	87 - 93 lm/W	ULOR	0%	MacAdam Ellipse	3 SDCM
Driver option	Integral control gear	CIE flux code n°3	100	Lifetime L90B10 (hours)	> 109,000
Driver	Constant current (CC)	Dimming type	On/Off, 1-10V, DALI	Lifetime L80B10 (hours)	> 109,000
Input voltage	220-240 V 50/60 Hz	Product colours	Black, Dark Grey, White, Matt Silver, Bronze, Concrete - Urban, Softscape - Urban, Stone - Urban, Corten - Urban, Oak - Woodland, Walnut - Woodland, Pine - Woodland	Lifetime L80B50 (hours)	> 109,000
Optic	VN	Weight	4.0 kg	Variants (On/Off, 1-10V, DALI)	Compatible with EN/ IEC 60598-2-22: Suitable for emergency installations as central supply, non-maintained (Z0)

QA-50003



Accessories



Please contact the factory for technical details if you wish to use Anti-glare accessories, Colour filters, Lenses and slip glasses in combination.