

QUANTUM 1 (QA-50004)



Product description

Small - RGBW



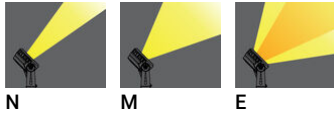
Luminaire Structure

- Die-cast aluminium housing
- Pre-treated before powder coating ensuring high corrosion resistance
- Single cable entry, through wiring upon request
- Three IP68 connectors supplied with 0.2 m of 3x1.0 sqmm outdoor cable and 2x0.2 m of 2x0.5 sqmm outdoor shielded cable

- Stainless steel fasteners in grade 304 with zinc flake coating (ZFC)
- Durable silicone rubber gasket
- High-efficiency PMMA lens
- Clear toughened glass

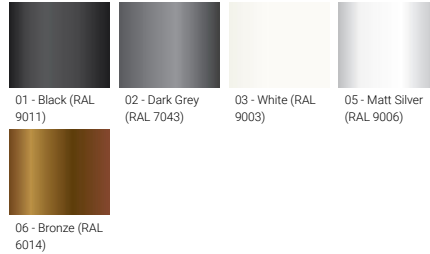
- Integral control gear

Optic



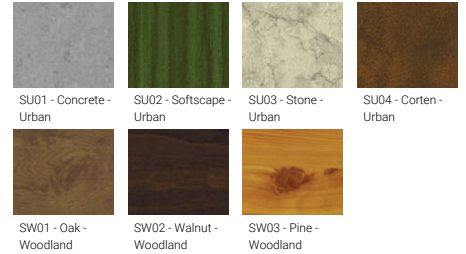
N M E

Product colour



01 - Black (RAL 9011) 02 - Dark Grey (RAL 7043) 03 - White (RAL 9003) 05 - Matt Silver (RAL 9006)
06 - Bronze (RAL 6014)

Special finishes upon request



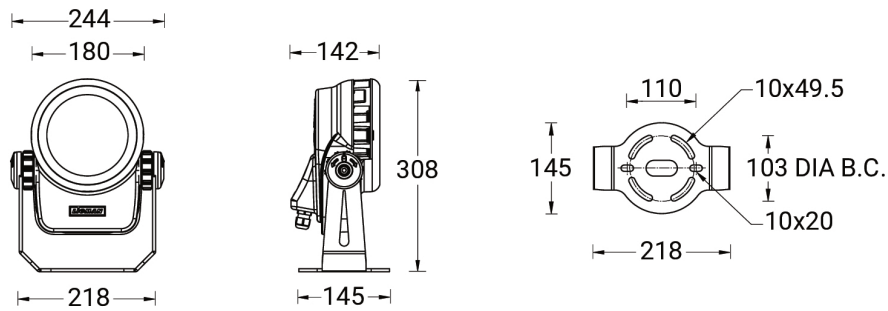
SU01 - Concrete - Urban SU02 - Softscape - Urban SU03 - Stone - Urban SU04 - Corten - Urban
SW01 - Oak - Woodland SW02 - Walnut - Woodland SW03 - Pine - Woodland

QUANTUM 1 (QA-50004)

Technical information

Material	Aluminium	Optic value	21°, 35°, 26° x 48°	Operating temperature	-20 °C to 40 °C
Light source	7 LED	CCT / CRI	RGBW30, RGBW40	Cable	Three IP68 connectors supplied with 0.2 m of 3x1.0 sqmm outdoor cable and 2x0.2 m of 2x0.5 sqmm outdoor shielded cable
Power	33 W	Bug	B1-U0-G0, B1-U1-G0	Through wiring	Single cable entry, through wiring upon request
Lumen	1113 - 1432 lm	ULR	0%	Lens / Reflector / Optic	High-efficiency PMMA lens, Clear toughened glass
Efficacy	11 - 14 lm/W	ULOR	0%	MacAdam Ellipse	3 SDCM
Driver option	Integral control gear	CIE flux code n°3	100	Lifetime L90B10 (hours)	> 109,000
Driver	Constant current (CC)	Dimming type	DMX, DMX/RDM	Lifetime L80B10 (hours)	> 109,000
Input voltage	220-240 V 50/60 Hz	Product colours	Black, Dark Grey, White, Matt Silver, Bronze, Concrete - Urban, Softscape - Urban, Stone - Urban, Corten - Urban, Oak - Woodland, Walnut - Woodland, Pine - Woodland	Lifetime L80B50 (hours)	> 109,000
Optic	N, M, E			Weight	4.0 kg

QA-50004



Accessories

