

**QUANTUM 2 (QA-50013)****Product description**

Medium

**Luminaire Structure**

- Die-cast aluminium housing
- Pre-treated before powder coating ensuring high corrosion resistance
- Single cable entry, through wiring upon request
- One IP68 connector supplied with 0.2 m of 3x1.0 sqmm outdoor cable

- Stainless steel fasteners in grade 304 with zinc flake coating (ZFC)
- Durable silicone rubber gasket
- High-efficiency PMMA lens
- Clear toughened glass

- Integral control gear

**Optic**

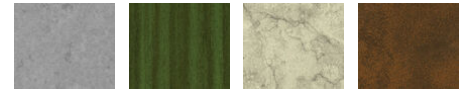
VN

**Product colour**

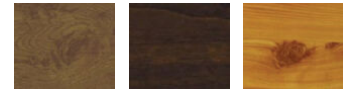
01 - Black (RAL 9011)    02 - Dark Grey (RAL 7043)    03 - White (RAL 9003)    05 - Matt Silver (RAL 9006)



06 - Bronze (RAL 6014)

**Special finishes upon request**

SU01 - Concrete - Urban    SU02 - Softscape - Urban    SU03 - Stone - Urban    SU04 - Corten - Urban



SW01 - Oak - Woodland    SW02 - Walnut - Woodland    SW03 - Pine - Woodland

**QUANTUM 2 (QA-50013)**

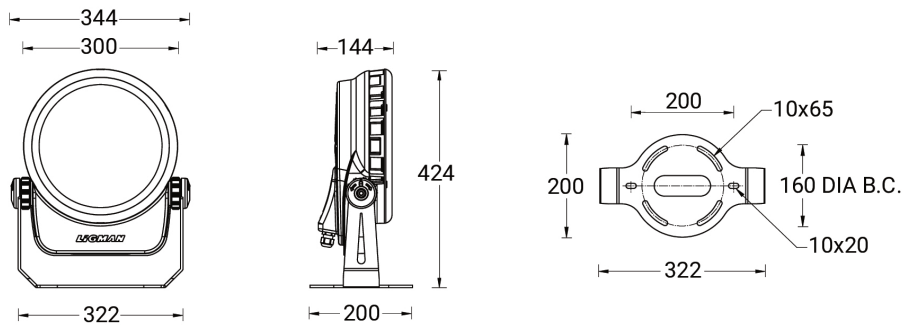
**Technical information**

|                      |                       |
|----------------------|-----------------------|
| <b>Material</b>      | Aluminium             |
| <b>Light source</b>  | 18 LED                |
| <b>Power</b>         | 76 W                  |
| <b>Lumen</b>         | 6688 - 8899 lm        |
| <b>Efficacy</b>      | 88 - 117 lm/W         |
| <b>Driver option</b> | Integral control gear |
| <b>Driver</b>        | Constant current (CC) |
| <b>Input voltage</b> | 220-240 V 50/60 Hz    |
| <b>Optic</b>         | VN                    |

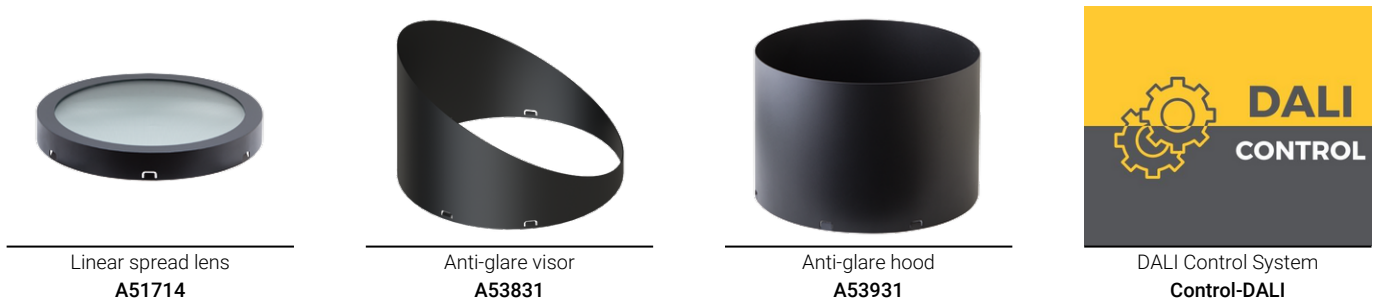
|                          |  |
|--------------------------|--|
| <b>Optic value</b>       | 8°   |
| <b>CCT / CRI</b>         | 3000K, 4000K   |
| <b>Bug</b>               | B4-U0-G0   |
| <b>ULR</b>               | 0%   |
| <b>ULOR</b>              | 0%   |
| <b>CIE flux code n°3</b> | 100  |
| <b>Dimming type</b>      | On/Off, 1-10V, DALI  |
| <b>Product colours</b>   | Black, Dark Grey, White, Matt Silver, Bronze, Concrete - Urban, Softscape - Urban, Stone - Urban, Corten - Urban, Oak - Woodland, Walnut - Woodland, Pine - Woodland |
| <b>Weight</b>            | 8.5 kg   |

|                                       |   |
|---------------------------------------|---|
| <b>Operating temperature</b>          | -20 °C to 40 °C   |
| <b>Cable</b>                          | One IP68 connector supplied with 0.2 m of 3x1.0 sqmm outdoor cable  |
| <b>Through wiring</b>                 | Single cable entry, through wiring upon request   |
| <b>Lens / Reflector / Optic</b>       | High-efficiency PMMA lens, Clear toughened glass  |
| <b>MacAdam Ellipse</b>                | 3 SDCM  |
| <b>Lifetime L90B10 (hours)</b>        | > 109,000   |
| <b>Lifetime L80B10 (hours)</b>        | > 109,000   |
| <b>Lifetime L80B50 (hours)</b>        | > 109,000   |
| <b>Variants (On/Off, 1-10V, DALI)</b> | Compatible with EN/ IEC 60598-2-22: Suitable for emergency installations as central supply, non-maintained (Z0) |

QA-50013



**Accessories**



Please contact the factory for technical details if you wish to use Anti-glare accessories, Colour filters, Lenses and slip glasses in combination.