

QUANTUM 3 (QA-50021)



Product description

Large



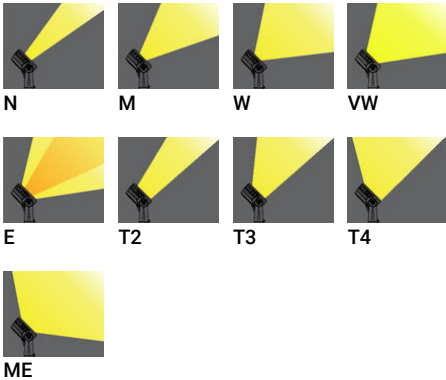
Luminaire Structure

- Die-cast aluminium housing
- Pre-treated before powder coating ensuring high corrosion resistance
- Single cable entry, through wiring upon request
- One IP68 connector supplied with 0.2 m of 3x1.0 sqmm outdoor cable

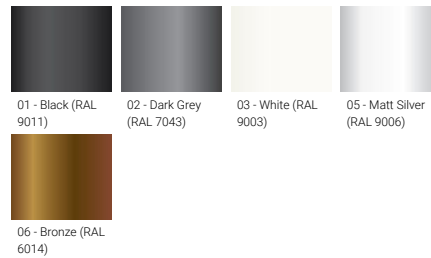
- Stainless steel fasteners in grade 304 with zinc flake coating (ZFC)
- Durable silicone rubber gasket
- High-efficiency PMMA lens
- Clear toughened glass

- Integral control gear

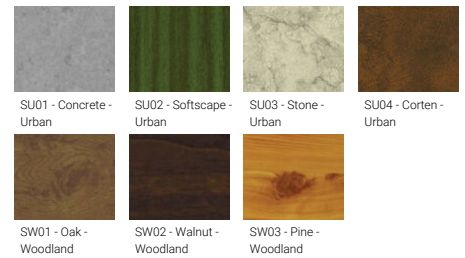
Optic



Product colour



Special finishes upon request

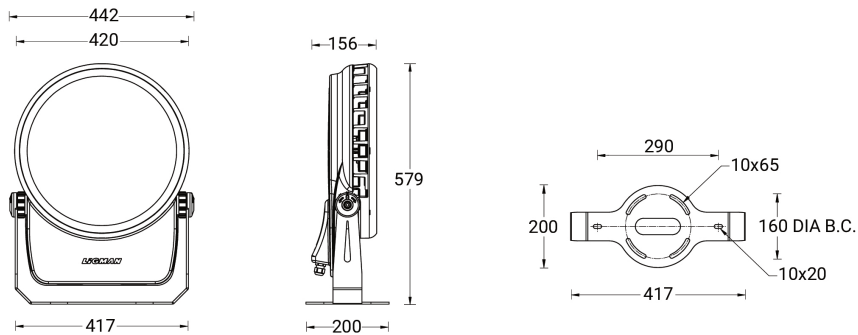


QUANTUM 3 (QA-50021)

Technical information

Material	Aluminium	Input voltage	220-240 V 50/60 Hz	Operating temperature	-20 °C to 35 °C
Light source	96 LED	Optic	N, M, W, VW, E, T2, T3, T4, ME	Cable	One IP68 connector supplied with 0.2 m of 3x1.0 sqmm outdoor cable
Power	269 W	Optic value	10°, 18°, 26°, 70°, 44°x13°, 141°x49°, 138°x65°, 96°x76°, 134°x35°	Through wiring	Single cable entry, through wiring upon request
Lumen	20759 - 27436 lm	CCT / CRI	3000K CRI80, 4000K CRI80	Lens / Reflector / Optic	High-efficiency PMMA lens, Clear toughened glass
Efficacy	77 - 102 lm/W	Dimming type	On/Off, 1-10V, DALI	Variants (On/Off, 1-10V, DALI)	Compatible with EN/ IEC 60598-2-22: Suitable for emergency installations as central supply, non-maintained (Z0)
Driver option	Integral control gear	Product colours	Black, Dark Grey, White, Matt Silver, Bronze, Concrete - Urban, Softscape - Urban, Stone - Urban, Corten - Urban, Oak - Woodland, Walnut - Woodland, Pine - Woodland		
Driver	Constant current (CC)	Weight	16.0 kg		

QA-50021



Accessories



Anti-glare hood
A53531



Anti-glare louvre
A53431



Anti-glare visor
A53331



Linear spread lens
A51514

QUANTUM 3 (QA-50021)

DALI Control System

Control-DALI

Please contact the factory for technical details if you wish to use Anti-glare accessories, Colour filters, Lenses and slip glasses in combination.