

QUANTUM 3 (QA-50022)



Product description

Large - RGBW



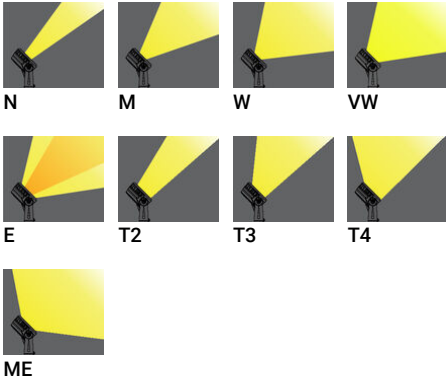
Luminaire Structure

- Die-cast aluminium housing
- Pre-treated before powder coating ensuring high corrosion resistance
- Single cable entry, through wiring upon request
- Three IP68 connectors supplied with 0.2 m of 3x1.0 sqmm outdoor cable and 2x0.2 m of 2x0.5 sqmm outdoor shielded cable

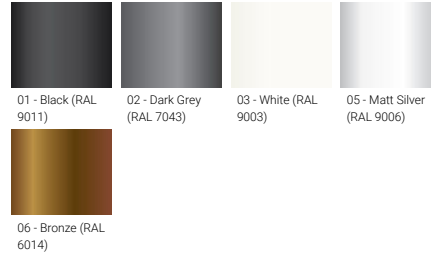
- Stainless steel fasteners in grade 304 with zinc flake coating (ZFC)
- Durable silicone rubber gasket
- High-efficiency PMMA lens
- Clear toughened glass

- Integral control gear

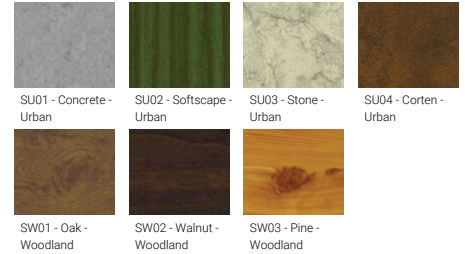
Optic



Product colour



Special finishes upon request

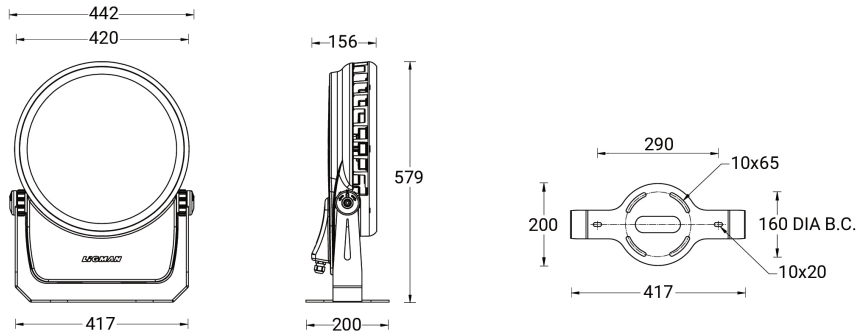


QUANTUM 3 (QA-50022)

Technical information

Material	Aluminium	Optic value	10°, 18°, 27°, 71°, 44°x12°, 141°x51°, 141°x70°, 97°x75°, 136°x37°	Operating temperature	-20 °C to 40 °C
Light source	96 LED	CCT / CRI	RGBW30, RGBW40	Cable	Three IP68 connectors supplied with 0.2 m of 3x1.0 sqmm outdoor cable and 2x0.2 m of 2x0.5 sqmm outdoor shielded cable
Power	191 W	Bug	B2-U0-G2, B4-U0-G0, B4-U0-G1, B5-U0-G0, B5-U0-G1	Through wiring	Single cable entry, through wiring upon request
Lumen	9027 - 12213 lm	ULR	0%	Lens / Reflector / Optic	High-efficiency PMMA lens, Clear toughened glass
Efficacy	47 - 64 lm/W	ULOR	0%	MacAdam Ellipse	7 SDCM
Driver option	Integral control gear	CIE flux code n°3	100, 96, 97, 99	Lifetime L90B10 (hours)	> 50,000
Driver	Constant current (CC)	Dimming type	DMX, DMX/RDM	Lifetime L80B10 (hours)	> 68,000
Input voltage	220-240 V 50/60 Hz	Product colours	Black, Dark Grey, White, Matt Silver, Bronze, Concrete - Urban, Softscape - Urban, Stone - Urban, Corten - Urban, Oak - Woodland, Walnut - Woodland, Pine - Woodland	Lifetime L80B50 (hours)	> 100,000
Optic	N, M, W, VW, E, T2, T3, T4, ME	Weight	16.0 kg	Variants (DMX/RDM)	Compatible with EN/ IEC 60598-2-22: Suitable for emergency installations as central supply, non-maintained (Z0)

QA-50022



Accessories



DMX Control System
Control-DMX



DMX/RDM Control System
Control-DMX-RDM