

RADO 2 (RA-10772)



Product description

290x120 mm - 800 mm



Luminaire Structure

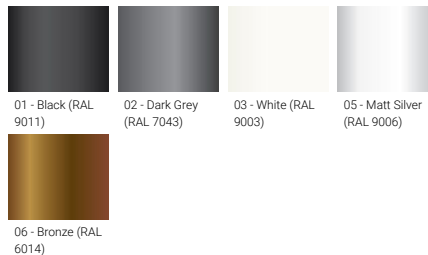
- Die-cast aluminium housing
- Formed sheet aluminium column
- Pre-treated before powder coating ensuring high corrosion resistance
- Single cable entry
- One IP68 connector supplied with 0.2 m of 3x1.0 sqmm outdoor cable
- Stainless steel fasteners in grade 304 with zinc flake coating (ZFC)
- Durable silicone rubber gasket
- Clear toughened glass
- Integral control gear

Optic

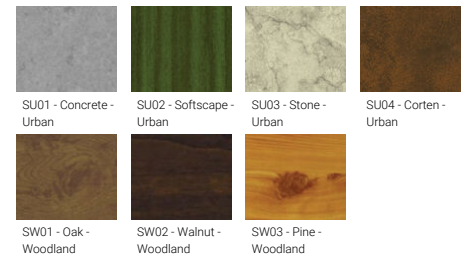


G

Product colour



Special finishes upon request

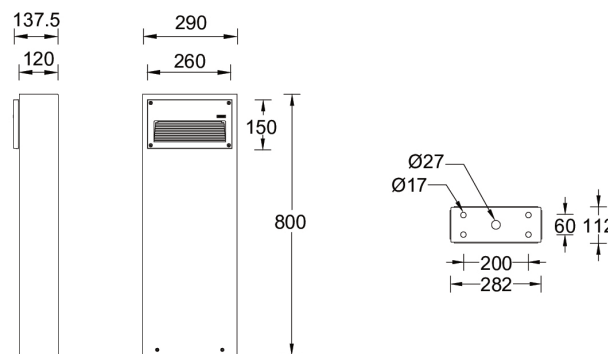


RADO 2 (RA-10772)

Technical information

Material	Aluminium	Optic value	90°x 26°	Operating temperature	-20 °C to 40 °C
Light source	4 x 12 LED	CCT / CRI	3000K CRI80, 4000K CRI80	Cable	One IP68 connector supplied with 0.2 m of 3x1.0 sqmm outdoor cable
Power	17 W	Bug	B0-U1-G1	Through wiring	Single cable entry
Lumen	558 - 620 lm	ULR	2%	Lens / Reflector / Optic	Clear toughened glass
Efficacy	33 - 36 lm/W	ULOR	2%	MacAdam Ellipse	3 SDCM
Driver option	Integral control gear	CIE flux code n°3	81	Lifetime L90B10 (hours)	> 23,000
Driver	Constant current (CC)	Dimming type	On/Off, 1-10V, DALI	Lifetime L80B10 (hours)	> 45,000
Input voltage	220-240 V 50/60 Hz	Product colours	Black, Dark Grey, White, Matt Silver, Bronze, Concrete - Urban, Softscape - Urban, Stone - Urban, Corten - Urban, Oak - Woodland, Walnut - Woodland, Pine - Woodland	Lifetime L80B50 (hours)	> 49,000
Optic	G		Weight	7.4 kg	Variants (On/Off, 1-10V, DALI)

RA-10772



Accessories



Anchor bolt
A10991



DALI Control System
Control-DALI