

**RADO 5 (RA-10822)****Product description**

294x135 mm - 800 mm

**Luminaire Structure**

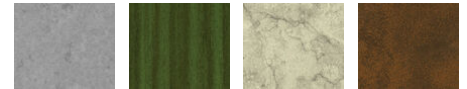
- Die-cast aluminium housing
- Formed sheet aluminium column
- Pre-treated before powder coating ensuring high corrosion resistance
- Single cable entry
- One IP68 connector supplied with 0.2 m of 3x1.0 sqmm outdoor cable
- Stainless steel fasteners in grade 304 with zinc flake coating (ZFC)
- Durable silicone rubber gasket
- Clear toughened glass
- Integral control gear

**Optic****G****Product colour**

01 - Black (RAL 9011)    02 - Dark Grey (RAL 7043)    03 - White (RAL 9003)    05 - Matt Silver (RAL 9006)



06 - Bronze (RAL 6014)

**Special finishes upon request**

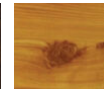
SU01 - Concrete - Urban    SU02 - Softscape - Urban    SU03 - Stone - Urban    SU04 - Corten - Urban



SW01 - Oak - Woodland



SW02 - Walnut - Woodland



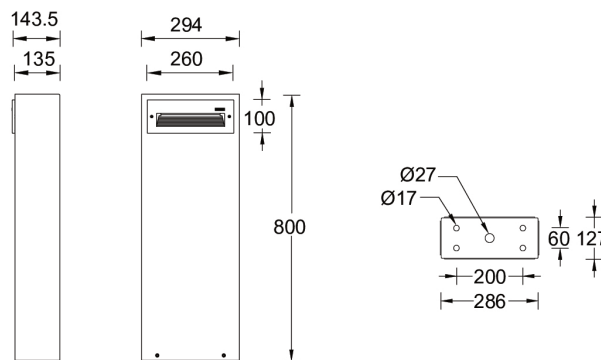
SW03 - Pine - Woodland

**RADO 5 (RA-10822)**

**Technical information**

<b>Material</b>	Aluminium	<b>Optic value</b>	79°x 32°	<b>Operating temperature</b>	-20 °C to 40 °C
<b>Light source</b>	4 x 12 LED	<b>CCT / CRI</b>	3000K CRI80, 4000K CRI80	<b>Cable</b>	One IP68 connector supplied with 0.2 m of 3x1.0 sqmm outdoor cable
<b>Power</b>	17 W	<b>Bug</b>	B0-U2-G1	<b>Through wiring</b>	Single cable entry
<b>Lumen</b>	402 - 447 lm	<b>ULR</b>	7%	<b>Lens / Reflector / Optic</b>	Clear toughened glass
<b>Efficacy</b>	24 - 26 lm/W	<b>ULOR</b>	7%	<b>MacAdam Ellipse</b>	3 SDCM
<b>Driver option</b>	Integral control gear	<b>CIE flux code n°3</b>	82	<b>Lifetime L90B10 (hours)</b>	> 23,000
<b>Driver</b>	Constant current (CC)	<b>Dimming type</b>	On/Off, 1-10V, DALI	<b>Lifetime L80B10 (hours)</b>	> 45,000
<b>Input voltage</b>	220-240 V 50/60 Hz	<b>Product colours</b>	Black, Dark Grey, White, Matt Silver, Bronze, Concrete - Urban, Softscape - Urban, Stone - Urban, Corten - Urban, Oak - Woodland, Walnut - Woodland, Pine - Woodland	<b>Lifetime L80B50 (hours)</b>	> 49,000
<b>Optic</b>	G			<b>Variants (On/Off, 1-10V, DALI)</b>	Compatible with EN/ IEC 60598-2-22: Suitable for emergency installations as central supply, non-maintained (Z0)
<b>Weight</b>	8.1 kg				

**RA-10822**



**Accessories**

