

ROBUST 1 (RO-80478-A)



Product description

With remote box IP-rated / remote driver - Round - Aluminium frame



Luminaire Structure

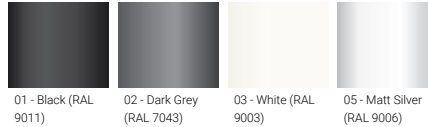
- Die-cast aluminium housing
- Pre-treated before powder coating ensuring high corrosion resistance
- Single cable entry
- Stainless steel fasteners in grade 304 with zinc flake coating (ZFC)
- Durable silicone rubber gasket
- Clear toughened glass
- High-efficiency optical reflector
- Remote driver (included)

Optic



AS

Product colour

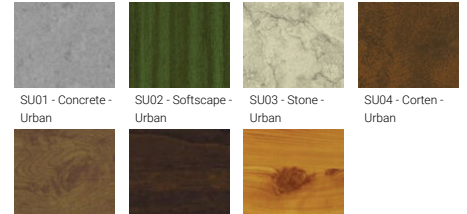


01 - Black (RAL 9011) 02 - Dark Grey (RAL 7043) 03 - White (RAL 9003) 05 - Matt Silver (RAL 9006)



06 - Bronze (RAL 6014)

Special finishes upon request



SU01 - Concrete - Urban SU02 - Softscape - Urban SU03 - Stone - Urban SU04 - Corten - Urban

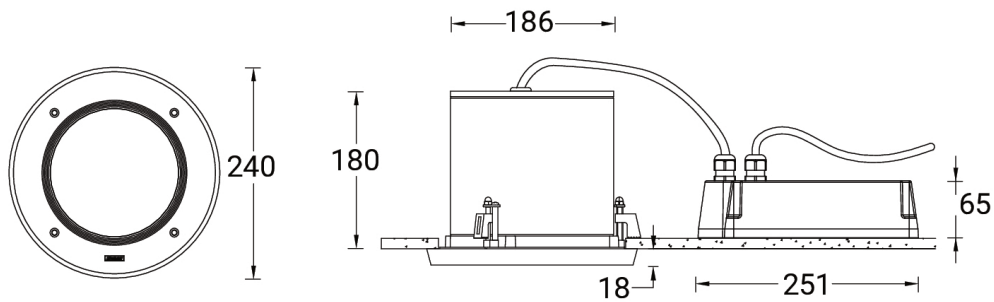
SW01 - Oak - Woodland SW02 - Walnut - Woodland SW03 - Pine - Woodland

ROBUST 1 (RO-80478-A)

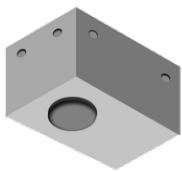
Technical information

Material	Aluminium	Optic	AS	Product colours	Black, Dark Grey, White, Matt Silver, Bronze, Concrete - Urban, Softscape - Urban, Stone - Urban, Corten - Urban, Oak - Woodland, Walnut - Woodland, Pine - Woodland	
Light source	1 COB	Optic value	46°x 56°			
Power	42 W	CCT / CRI	3000K CRI80, 4000K CRI80			
Lumen	3377 - 3418 lm	Bug	B2-U0-G0			
Efficacy	80 - 81 lm/W	ULR	0%			
Driver option	Remote driver (included)	ULOR	0%			
Driver	Constant current (CC)	CIE flux code n°3	99			
Input voltage	1050 mA, 36 VDC	Dimming type	On/Off, DALI			
					Weight	3.6 kg
					Operating temperature	-20 °C to 40 °C
				Through wiring	Single cable entry	
				Lens / Reflector / Optic	Clear toughened glass, High-efficiency optical reflector	
				MacAdam Ellipse	3 SDCM	
				Lifetime L90B10 (hours)	> 55,000	
				Variants (DALI)	Compatible with EN/ IEC 60598-2-22: Suitable for emergency installations as central supply, non-maintained (Z0)	

RO-80478-A



Accessories



Concrete box modification upon request
CONCRETE-BOX



DALI Control System
Control-DALI