

SANDY 1 (SA-31471-1MS)



Product description

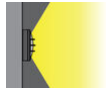
Small - With integrated motion sensor



Luminaire Structure

- Die-cast aluminium housing and frame
- Pre-treated before powder coating ensuring high corrosion resistance
- Two cable entries for through wiring
- Stainless steel fasteners in grade 304 with zinc flake coating (ZFC)
- Durable silicone rubber gasket
- Opal UV-stabilised polycarbonate diffuser
- Integral control gear
- Optional surface mounting box for easy wiring or conduit connection when wiring from behind is not possible

Optic



G

Product colour

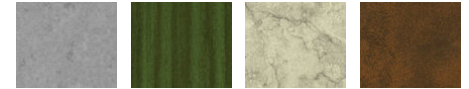


01 - Black (RAL 9011) 02 - Dark Grey (RAL 7043) 03 - White (RAL 9003) 05 - Matt Silver (RAL 9006)



06 - Bronze (RAL 6014)

Special finishes upon request



SU01 - Concrete - Urban SU02 - Softscape - Urban SU03 - Stone - Urban SU04 - Corten - Urban



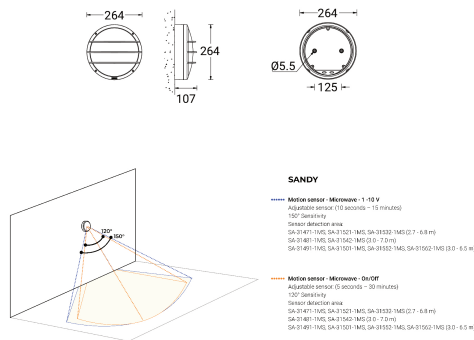
SW01 - Oak - Woodland SW02 - Walnut - Woodland SW03 - Pine - Woodland

SANDY 1 (SA-31471-1MS)

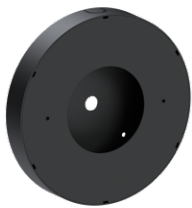
Technical information

Material	Aluminium	Optic value	114°x97°	Operating temperature	-20 °C to 40 °C
Light source	80 LED	CCT / CRI	3000K CRI80, 4000K CRI80	Through wiring	Two cable entries for through wiring
Power	19 W	Bug	B0-U1-G0	Lens / Reflector / Optic	Opal UV-stabilised polycarbonate diffuser
Lumen	1588 - 1671 lm	ULR	1%	MacAdam Ellipse	3 SDCM
Efficacy	84 - 88 lm/W	ULOR	1%	Lifetime L90B10 (hours)	> 37,000
Driver option	Integral control gear	CIE flux code n°3	94	Lifetime L80B10 (hours)	> 78,000
Driver	Constant current (CC)	Dimming type	On/Off, 1-10V	Lifetime L80B50 (hours)	> 86,000
Input voltage	220-240 V 50/60 Hz	Product colours	Black, Dark Grey, White, Matt Silver, Bronze, Concrete - Urban, Softscape - Urban, Stone - Urban, Corten - Urban, Oak - Woodland, Walnut - Woodland, Pine - Woodland	Variants (On/Off, 1-10V)	Compatible with EN/ IEC 60598-2-22: Suitable for emergency installations as central supply, non-maintained (Z0)
Optic	G				
Weight	2.1 kg				

SA-31471-1MS



Accessories



Surface mounting box for easy cabling (SANDY 1)
SCE-SANDY-1



DALI Control System
Control-DALI



Remote controller for the motion sensor - 1-10V (A34191)
A34391