

SANDY 4 (SA-31501-1MS)**IP65****IK08****Product description**

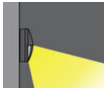
Small - With integrated motion sensor

**Luminaire Structure**

- Die-cast aluminium housing and frame
- Pre-treated before powder coating ensuring high corrosion resistance
- Two cable entries for through wiring

- Stainless steel fasteners in grade 304 with zinc flake coating (ZFC)
- Durable silicone rubber gasket
- Opal UV-stabilised polycarbonate diffuser

- Integral control gear
- Optional surface mounting box for easy wiring or conduit connection when wiring from behind is not possible

Optic**G****Product colour**

01 - Black (RAL 9011)



02 - Dark Grey (RAL 7043)



03 - White (RAL 9003)



05 - Matt Silver (RAL 9006)



06 - Bronze (RAL 6014)

Special finishes upon request

SU01 - Concrete - Urban



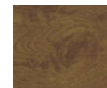
SU02 - Softscape - Urban



SU03 - Stone - Urban



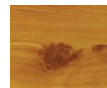
SU04 - Corten - Urban



SW01 - Oak - Woodland



SW02 - Walnut - Woodland



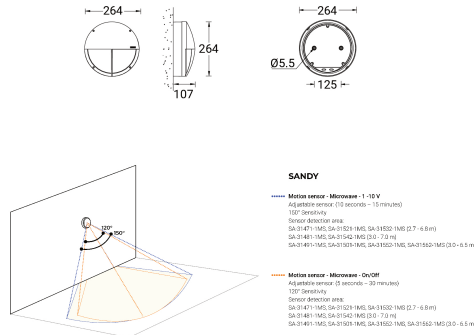
SW03 - Pine - Woodland

SANDY 4 (SA-31501-1MS)

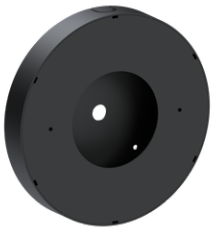
Technical information

Material	Aluminium	Optic	G	Product colours	Black, Dark Grey, White, Matt Silver, Bronze, Concrete - Urban, Softscape - Urban, Stone - Urban, Corten - Urban, Oak - Woodland, Walnut - Woodland, Pine - Woodland
Light source	80 LED	Optic value	107°x107°		
Power	19 W	CCT / CRI	3000K CRI80, 4000K CRI80		
Lumen	873 - 920 lm	Bug	B1-U0-G1		
Efficacy	46 - 48 lm/W	ULR	1%		
Driver option	Integral control gear	ULOR	1%		
Driver	Constant current (CC)	CIE flux code n°3	94		
Input voltage	220-240 V 50/60 Hz	Dimming type	On/Off, 1-10V		
		Weight	2.3 kg		
		Through wiring	Two cable entries for through wiring		
		Lens / Reflector / Optic	Opal UV-stabilised polycarbonate diffuser		
		MacAdam Ellipse	3 SDCM		
		Lifetime L90B10 (hours)	> 37,000		
		Lifetime L80B10 (hours)	> 78,000		
		Lifetime L80B50 (hours)	> 86,000		

SA-31501-1MS



Accessories



Surface mounting box for easy cabling (SANDY 4)
SCE-SANDY-4



DALI Control System
Control-DALI



Remote controller for the motion sensor - 1-10V (A34191)
A34391