

SANDY 6 (SA-31521-1MS)



Product description

Small - With integrated motion sensor



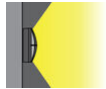
Luminaire Structure

- Die-cast aluminium housing and frame
- Pre-treated before powder coating ensuring high corrosion resistance
- Two cable entries for through wiring

- Stainless steel fasteners in grade 304 with zinc flake coating (ZFC)
- Durable silicone rubber gasket
- Opal UV-stabilised polycarbonate diffuser

- Integral control gear
- Optional surface mounting box for easy wiring or conduit connection when wiring from behind is not possible

Optic



G

Product colour

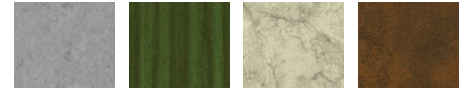


01 - Black (RAL 9011) 02 - Dark Grey (RAL 7043) 03 - White (RAL 9003) 05 - Matt Silver (RAL 9006)

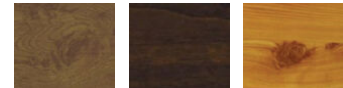


06 - Bronze (RAL 6014)

Special finishes upon request



SU01 - Concrete - Urban SU02 - Softscape - Urban SU03 - Stone - Urban SU04 - Corten - Urban



SW01 - Oak - Woodland SW02 - Walnut - Woodland SW03 - Pine - Woodland

SANDY 6 (SA-31521-1MS)

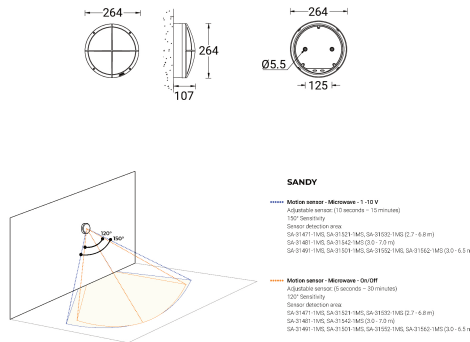
Technical information

Material	Aluminium
Light source	80 LED
Power	19 W
Lumen	1602 - 1686 lm
Efficacy	84 - 89 lm/W
Driver option	Integral control gear
Driver	Constant current (CC)
Input voltage	220-240 V 50/60 Hz

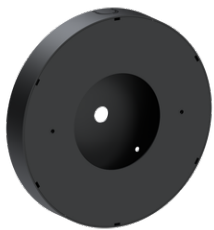
Optic	G
Optic value	108°x108°
CCT / CRI	3000K CRI80, 4000K CRI80
Bug	B0-U1-G1
ULR	1.34%
ULOR	1.34%
CIE flux code n°3	94
Dimming type	On/Off, 1-10V

Product colours	Black, Dark Grey, White, Matt Silver, Bronze, Concrete - Urban, Softscape - Urban, Stone - Urban, Corten - Urban, Oak - Woodland, Walnut - Woodland, Pine - Woodland
Weight	2.1 kg
Through wiring	Two cable entries for through wiring
Lens / Reflector / Optic	Opal UV-stabilised polycarbonate diffuser
MacAdam Ellipse	3 SDCM
Lifetime L90B10 (hours)	> 37,000
Lifetime L80B10 (hours)	> 78,000
Lifetime L80B50 (hours)	> 86,000

SA-31521-1MS



Accessories



Surface mounting box for easy cabling (SANDY 6)
SCE-SANDY-6



DALI Control System
Control-DALI



Remote controller for the motion sensor - 1-10V (A34191)
A34391