

SANDY 9 (SA-31552-1MS)



Product description

Large - With integrated motion sensor



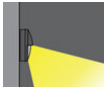
Luminaire Structure

- Die-cast aluminium housing and frame
- Pre-treated before powder coating ensuring high corrosion resistance
- Two cable entries for through wiring

- Stainless steel fasteners in grade 304 with zinc flake coating (ZFC)
- Durable silicone rubber gasket
- Opal UV-stabilised polycarbonate diffuser

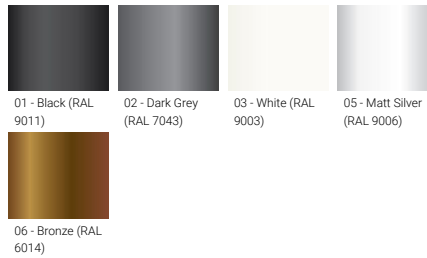
- Integral control gear
- Optional surface mounting box for easy wiring or conduit connection when wiring from behind is not possible

Optic

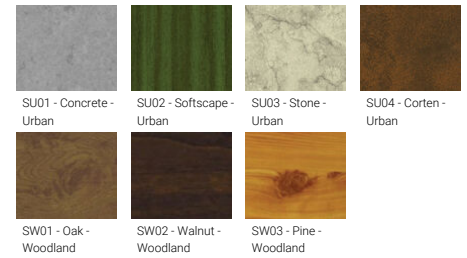


G

Product colour



Special finishes upon request

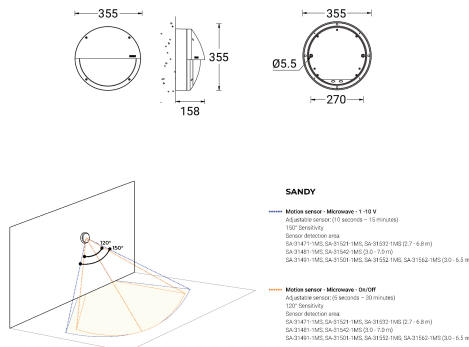


SANDY 9 (SA-31552-1MS)

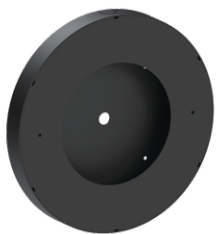
Technical information

Material	Aluminium	Optic	G	Product colours	Black, Dark Grey, White, Matt Silver, Bronze, Concrete - Urban, Softscape - Urban, Stone - Urban, Corten - Urban, Oak - Woodland, Walnut - Woodland, Pine - Woodland	
Light source	96 LED	Optic value	115°x119°			
Power	27 W	CCT / CRI	3000K CRI80, 4000K CRI80			
Lumen	1250 - 1315 lm	Bug	B0-U1-G1			
Efficacy	46 - 49 lm/W	ULR	2%			
Driver option	Integral control gear	ULOR	2%			
Driver	Constant current (CC)	CIE flux code n°3	92			
Input voltage	220-240 V 50/60 Hz	Dimming type	On/Off, 1-10V			
					Weight	4.1 kg
					Through wiring	Two cable entries for through wiring
				Lens / Reflector / Optic	Opal UV-stabilised polycarbonate diffuser	
				MacAdam Ellipse	3 SDCM	
				Lifetime L90B10 (hours)	> 37,000	
				Lifetime L80B10 (hours)	> 78,000	
				Lifetime L80B50 (hours)	> 86,000	

SA-31552-1MS



Accessories



Surface mounting box for easy cabling (SANDY 9)
SCE-SANDY-9



DALI Control System
Control-DALI



Remote controller for the motion sensor - 1-10V (A34191)
A34391