

SANTANDER 1 (SAT-90001)



Luminaire Structure

- Die-cast aluminium housing
- Pre-treated before powder coating ensuring high corrosion resistance
- Single cable entry

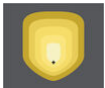
- One IP68 connector supplied with 0.2 m of 3x1.0 sqmm outdoor cable
- Stainless steel fasteners in grade 304 with zinc flake coating (ZFC)
- Durable silicone rubber gasket

- High-efficiency PMMA lens
- Integral control gear

Optic



W VW T2 T3



T4

Product colour

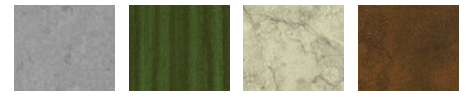


01 - Black (RAL 9011) 02 - Dark Grey (RAL 7043) 03 - White (RAL 9003) 05 - Matt Silver (RAL 9006)



06 - Bronze (RAL 6014)

Special finishes upon request



SU01 - Concrete - Urban SU02 - Softscape - Urban SU03 - Stone - Urban SU04 - Corten - Urban

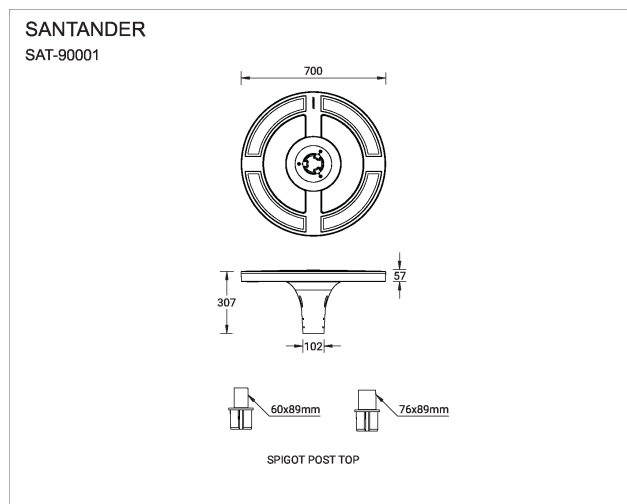


SW01 - Oak - Woodland SW02 - Walnut - Woodland SW03 - Pine - Woodland

SANTANDER 1 (SAT-90001)

Technical information

Material	Aluminium	Optic	W, VW, T2, T3, T4	Product colours	Black, Dark Grey, White, Matt Silver, Bronze, Concrete - Urban, Softscape - Urban, Stone - Urban, Corten - Urban, Oak - Woodland, Walnut - Woodland, Pine - Woodland
Light source	4 x 12 LED	Optic value	108°, 120°, 136°x22°, 140°x44°, 148°x78°	Weight	13 kg
Power	126 W	CCT / CRI	3000K CRI80, 4000K CRI80	Operating temperature	-20 °C to 40 °C
Lumen	9616 - 13665 lm	Bug	B2-U0-G2, B3-U0-G0, B3-U0-G1, B3-U0-G2, B3-U0-G3	Cable	One IP68 connector supplied with 0.2 m of 3x1.0 sqmm outdoor cable
Efficacy	76 - 108 lm/W	ULR	0%	Through wiring	Single cable entry
Driver option	Integral control gear	ULOR	0%	Lens / Reflector / Optic	High-efficiency PMMA lens
Driver	Constant current (CC)	CIE flux code n°3	96, 97, 98, 99	Variants (On/Off, 1-10V, DALI)	Compatible with EN/ IEC 60598-2-22: Suitable for emergency installations as central supply, non-maintained (Z0)
Input voltage	220-240 V 50/60 Hz	Dimming type	On/Off, 1-10V, DALI		



Accessories



DALI Control System
Control-DALI