

**SANTANDER 2 (SAT-90011)**



**Luminaire Structure**

- Die-cast aluminium housing
- Pre-treated before powder coating ensuring high corrosion resistance
- Single cable entry

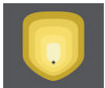
- One IP68 connector supplied with 0.2 m of 3x1.0 sqmm outdoor cable
- Stainless steel fasteners in grade 304 with zinc flake coating (ZFC)
- Durable silicone rubber gasket

- High-efficiency PMMA lens
- Integral control gear

**Optic**

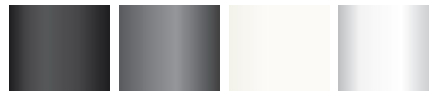


**W VW T2 T3**



**T4**

**Product colour**

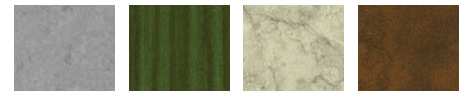


01 - Black (RAL 9011)    02 - Dark Grey (RAL 7043)    03 - White (RAL 9003)    05 - Matt Silver (RAL 9006)



06 - Bronze (RAL 6014)

**Special finishes upon request**



SU01 - Concrete - Urban    SU02 - Softscape - Urban    SU03 - Stone - Urban    SU04 - Corten - Urban



SW01 - Oak - Woodland    SW02 - Walnut - Woodland    SW03 - Pine - Woodland

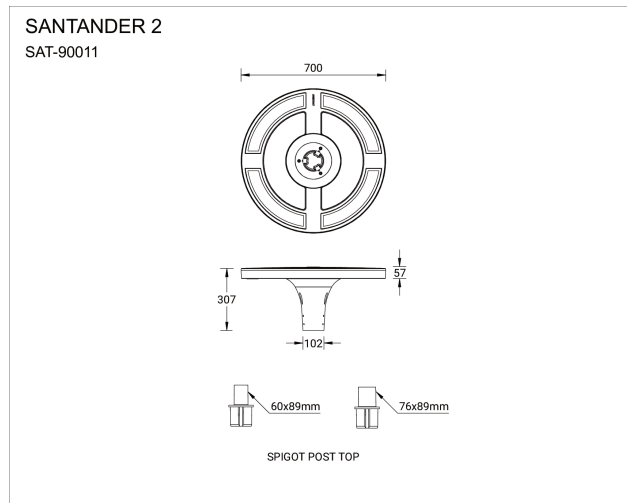
**SANTANDER 2 (SAT-90011)**

**Technical information**

<b>Material</b>	Aluminium
<b>Light source</b>	4 x 6 LED
<b>Power</b>	28 W
<b>Lumen</b>	2103 - 2989 lm
<b>Efficacy</b>	75 - 107 lm/W
<b>Driver option</b>	Integral control gear
<b>Driver</b>	Constant current (CC)
<b>Input voltage</b>	220-240 V 50/60 Hz

<b>Optic</b>	W, VW, T2, T3, T4
<b>Optic value</b>	108°, 120°, 136°x22°, 140°x44°, 148°x78°
<b>CCT / CRI</b>	3000K CRI80, 4000K CRI80
<b>Bug</b>	B2-U0-G2, B3-U0-G0, B3-U0-G1, B3-U0-G2, B3-U0-G3
<b>ULR</b>	0%
<b>ULOR</b>	0%
<b>CIE flux code n°3</b>	96, 97, 98, 99
<b>Dimming type</b>	On/Off, 1-10V, DALI

<b>Product colours</b>	Black, Dark Grey, White, Matt Silver, Bronze, Concrete - Urban, Softscape - Urban, Stone - Urban, Corten - Urban, Oak - Woodland, Walnut - Woodland, Pine - Woodland
<b>Weight</b>	13 kg
<b>Operating temperature</b>	-20 °C to 40 °C
<b>Cable</b>	One IP68 connector supplied with 0.2 m of 3x1.0 sqmm outdoor cable
<b>Through wiring</b>	Single cable entry
<b>Lens / Reflector / Optic</b>	High-efficiency PMMA lens
<b>Variants (On/Off, 1-10V, DALI)</b>	Compatible with EN/ IEC 60598-2-22: Suitable for emergency installations as central supply, non-maintained (Z0)



**Accessories**



DALI Control System  
Control-DALI