

SANTANDER 2 (SAT-90012)



Luminaire Structure

- Die-cast aluminium housing
- Pre-treated before powder coating ensuring high corrosion resistance
- Single cable entry

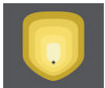
- One IP68 connector supplied with 0.2 m of 3x1.0 sqmm outdoor cable
- Stainless steel fasteners in grade 304 with zinc flake coating (ZFC)
- Durable silicone rubber gasket

- High-efficiency PMMA lens
- Integral control gear

Optic

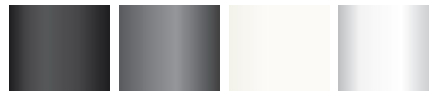


W VW T2 T3



T4

Product colour

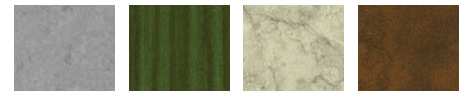


01 - Black (RAL 9011) 02 - Dark Grey (RAL 7043) 03 - White (RAL 9003) 05 - Matt Silver (RAL 9006)



06 - Bronze (RAL 6014)

Special finishes upon request



SU01 - Concrete - Urban SU02 - Softscape - Urban SU03 - Stone - Urban SU04 - Corten - Urban



SW01 - Oak - Woodland SW02 - Walnut - Woodland SW03 - Pine - Woodland

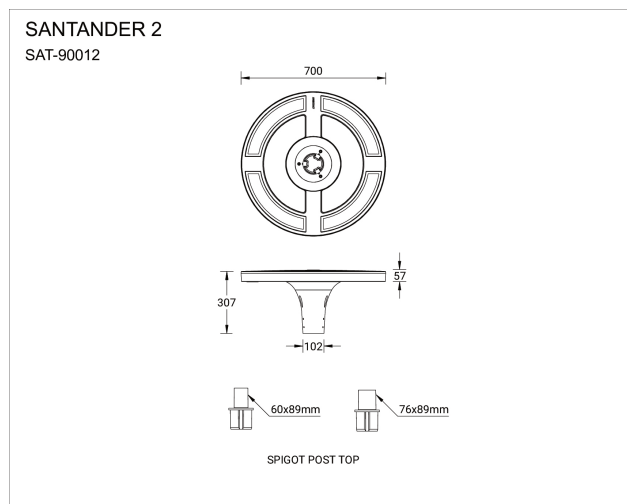
SANTANDER 2 (SAT-90012)

Technical information

Material	Aluminium
Light source	4 x 6 LED
Power	56 W
Lumen	4207 - 5978 lm
Efficacy	75 - 107 lm/W
Driver option	Integral control gear
Driver	Constant current (CC)
Input voltage	220-240 V 50/60 Hz
Optic	W, VW, T2, T3, T4

Optic value	108°, 120°, 136°x22°, 140°x44°, 148°x78°
CCT / CRI	3000K CRI80, 4000K CRI80
Bug	B2-U0-G2, B3-U0-G0, B3-U0-G1, B3-U0-G2, B3-U0-G3
ULR	0%
ULOR	0%
CIE flux code n°3	96, 97, 98, 99
Dimming type	On/Off, 1-10V, DALI Black, Dark Grey, White, Matt Silver, Bronze, Concrete - Urban, Softscape - Urban, Stone - Urban, Corten - Urban, Oak - Woodland, Walnut - Woodland, Pine - Woodland
Product colours	
Weight	13 kg

Operating temperature	-20 °C to 40 °C
Cable	One IP68 connector supplied with 0.2 m of 3x1.0 sqmm outdoor cable
Through wiring	Single cable entry
Lens / Reflector / Optic	High-efficiency PMMA lens
MacAdam Ellipse	3 SDCM
Lifetime L90B10 (hours)	> 120,000
Lifetime L80B10 (hours)	> 120,000
Lifetime L80B50 (hours)	> 120,000
Variants (On/Off, 1-10V, DALI)	Compatible with EN/ IEC 60598-2-22: Suitable for emergency installations as central supply, non-maintained (Z0)



Accessories



DALI Control System
Control-DALI