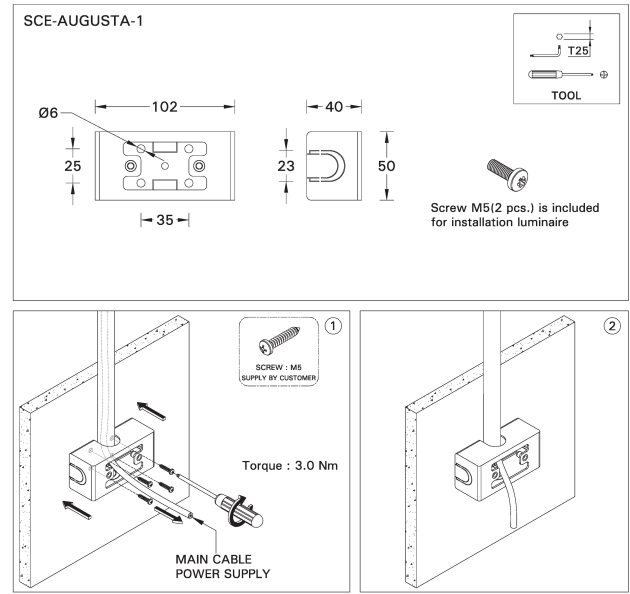


Surface mounting box for easy cabling (AUGUSTA 1) (SCE-AUGUSTA-1)



Product description

102x50x40 mm

Technical information

Aluminium

Material Aluminium

Product colours Black, Dark Grey, White, Matt Silver, Bronze, Concrete - Urban, Softscape - Urban, Stone - Urban, Corten - Urban, Oak - Woodland, Walnut - Woodland, Pine - Woodland