

**STEAMER 1 (SE-90002)**



**Product description**

Rectangular - Medium



**Luminaire Structure**

- Die-cast aluminium housing
- Pre-treated before powder coating ensuring high corrosion resistance
- Single cable entry
- One IP68 connector supplied with 0.5 m of 3x1.0 sqmm outdoor cable

- Stainless steel fasteners in grade 304 with zinc flake coating (ZFC)
- Durable silicone rubber gasket
- Clear toughened glass
- High-efficiency PMMA lens

- Integral control gear
- Surge protection 10kV

**Optic**



**M W EW T2**



**T3 T4 ME**

**Product colour**

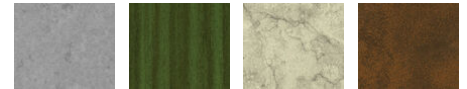


01 - Black (RAL 9011)    02 - Dark Grey (RAL 7043)    03 - White (RAL 9003)    05 - Matt Silver (RAL 9006)



06 - Bronze (RAL 6014)

**Special finishes upon request**



SU01 - Concrete - Urban    SU02 - Softscape - Urban    SU03 - Stone - Urban    SU04 - Corten - Urban



SW01 - Oak - Woodland    SW02 - Walnut - Woodland    SW03 - Pine - Woodland

**STEAMER 1 (SE-90002)**

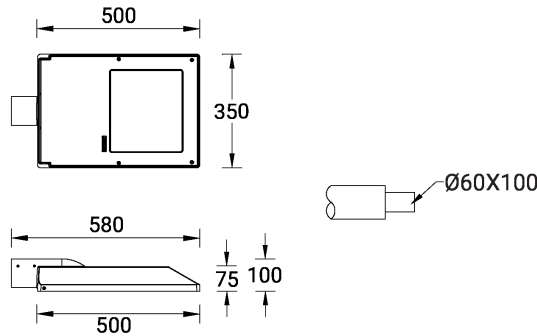
**Technical information**

<b>Material</b>	Aluminium
<b>Light source</b>	2 x 24 LED
<b>Power</b>	105 W
<b>Lumen</b>	12434 - 14374 lm
<b>Efficacy</b>	118 - 137 lm/W
<b>Driver option</b>	Integral control gear
<b>Driver</b>	Constant current (CC)
<b>Input voltage</b>	220-240 V 50/60 Hz

<b>Optic</b>	M, W, EW, T2, T3, T4, ME
<b>Optic value</b>	30°, 57°, 105°x115°, 136°x51°, 119°x86°, 102°x74°, 137°x58°
<b>CCT / CRI</b>	3000K CRI80, 4000K CRI80
<b>Dimming type</b>	On/Off, 1-10V, DALI
<b>Product colours</b>	Black, Dark Grey, White, Matt Silver, Bronze, Concrete - Urban, Softscape - Urban, Stone - Urban, Corten - Urban, Oak - Woodland, Walnut - Woodland, Pine - Woodland
<b>Weight</b>	10.1 kg
<b>Operating temperature</b>	-20 °C to 50 °C
<b>Cable</b>	One IP68 connector supplied with 0.5 m of 3x1.0 sqmm outdoor cable

<b>Through wiring</b>	Single cable entry
<b>Lens / Reflector / Optic</b>	Clear toughened glass, High-efficiency PMMA lens
<b>MacAdam Ellipse</b>	3 SDCM
<b>Lifetime L90B10 (hours)</b>	> 90,000
<b>Lifetime L80B10 (hours)</b>	> 90,000
<b>Lifetime L80B50 (hours)</b>	> 90,000

SE-90002



**Accessories**



Double adjustable 60°  
**A91760**



Double arm mount  
**A91160**



Double arm mount  
**A91360**



Double arm mount  
**A91560**

**STEAMER 1 (SE-90002)**

Motion sensor - PIR - 1-10V - Up  
to 3 m  
**A90191-L2**



Motion sensor - PIR - 1-10V - Up  
to 6 m  
**A90191-L3**



Motion sensor - PIR - 1-10V - Up  
to 12 m  
**A90191-L7**



Remote controller for the motion  
sensor - 1-10V (A90191)  
**A90791**



Single adjustable 60°  
**A91660**



Single arm mount  
**A91060**



Single arm mount  
**A91260**



Single arm mount  
**A91460**



Triple arm mount - Type 1  
**A92260**



Triple arm mount - Type 2  
**A92360**



DALI Control System  
**Control-DALI**



Remote solar charge controller  
for Solar Integrated Bollards and  
Vertical Solar PV poles  
**A92691**