

STEAMER 11 (SE-90021)



Product description

Round - Medium



Luminaire Structure

- Single cable entry
- One IP68 connector supplied with 0.5 m of 3x1.0 sqmm outdoor cable

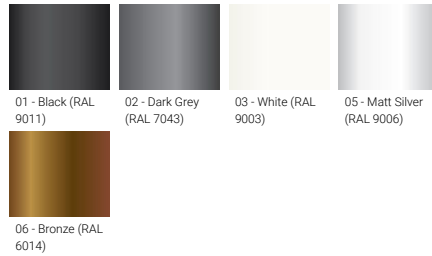
- Clear toughened glass
- High-efficiency PMMA lens

- Integral control gear

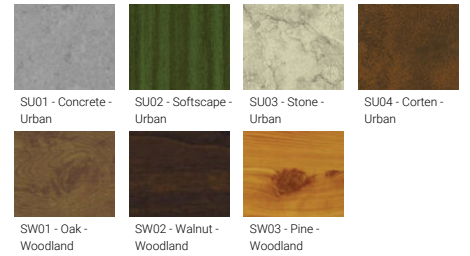
Optic



Product colour



Special finishes upon request



STEAMER 11 (SE-90021)

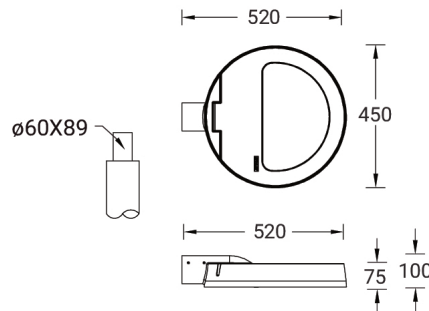
Technical information

| | |
|----------------------|-----------------------|
| Material | Aluminium |
| Light source | 3 x 3 LED |
| Power | 80 W |
| Lumen | 6092 - 7999 lm |
| Efficacy | 76 - 100 lm/W |
| Driver option | Integral control gear |
| Driver | Constant current (CC) |
| Input voltage | 220-240 V 50/60 Hz |

| | |
|------------------------------|--|
| Optic | T2, T3, T4, T5, ME |
| Optic value | 143°x48°, 142°x51°, 95°x84°, 88°x140°, 135°x49° |
| Dimming type | On/Off, 1-10V, DALI |
| Product colours | Black, Dark Grey, White, Matt Silver, Bronze, Concrete - Urban, Softscape - Urban, Stone - Urban, Corten - Urban, Oak - Woodland, Walnut - Woodland, Pine - Woodland |
| Weight | 10.1 kg |
| Operating temperature | -20 °C to 50 °C |
| Cable | One IP68 connector supplied with 0.5 m of 3x1.0 sqmm outdoor cable |
| Through wiring | Single cable entry |

| | |
|---------------------------------------|---|
| Lens / Reflector / Optic | Clear toughened glass, High-efficiency PMMA lens |
| MacAdam Ellipse | 3 SDCM |
| Lifetime L90B10 (hours) | > 109,000 |
| Lifetime L80B10 (hours) | > 109,000 |
| Lifetime L80B50 (hours) | > 109,000 |
| Variants (On/Off, 1-10V, DALI) | Compatible with EN/ IEC 60598-2-22: Suitable for emergency installations as central supply, non-maintained (Z0) |

SE-90021



Accessories



Double adjustable 60°
A91760



Double arm mount
A91160



Double arm mount
A91360



Double arm mount
A91560

STEAMER 11 (SE-90021)

Motion sensor - PIR - 1-10V - Up
to 3 m
A90191-L2



Motion sensor - PIR - 1-10V - Up
to 6 m
A90191-L3



Motion sensor - PIR - 1-10V - Up
to 12 m
A90191-L7



Remote controller for the motion
sensor - 1-10V (A90191)
A90791



Single adjustable 60°
A91660



Single arm mount
A91060



Single arm mount
A91260



Single arm mount
A91460