

STARTECH 1 (ST-10336)



Product description

193x193 mm - 775 mm



Luminaire Structure

- Die-cast aluminium housing and extruded aluminium column pre-treated before powder coating ensuring high corrosion resistance
- Single cable entry
- One IP68 connector supplied with 0.2 m of 3x1.0 sqmm outdoor cable

- Stainless steel fasteners in grade 316
- Durable silicone rubber gasket
- Opal glass diffuser

- Integral control gear

Optic



G

Product colour

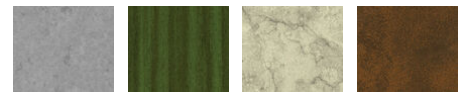


01 - Black (RAL 9011) 02 - Dark Grey (RAL 7043) 03 - White (RAL 9003) 05 - Matt Silver (RAL 9006)

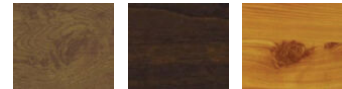


06 - Bronze (RAL 6014)

Special finishes upon request



SU01 - Concrete - Urban SU02 - Softscape - Urban SU03 - Stone - Urban SU04 - Corten - Urban



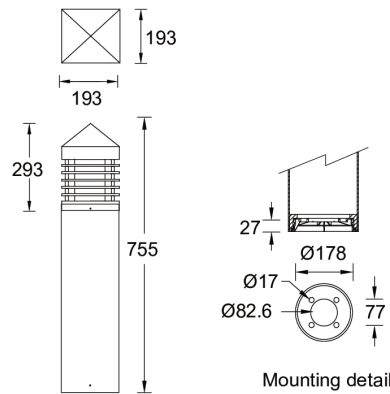
SW01 - Oak - Woodland SW02 - Walnut - Woodland SW03 - Pine - Woodland

STARTECH 1 (ST-10336)

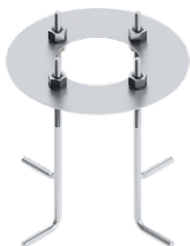
Technical information

Material	Aluminium	Optic	G	Product colours	Black, Dark Grey, White, Matt Silver, Bronze, Concrete - Urban, Softscape - Urban, Stone - Urban, Corten - Urban, Oak - Woodland, Walnut - Woodland, Pine - Woodland
Light source	1 COB	Optic value	360°	Weight	8.7 kg
Power	41 W	CCT / CRI	3000K CRI80, 4000K CRI80	Operating temperature	-20 °C to 40 °C
Lumen	403 - 407 lm	Bug	B0-U3-G1	Lens / Reflector / Optic	Opal toughened glass diffuser
Efficacy	10 lm/W	ULR	47%	MacAdam Ellipse	3 SDCM
Driver option	Integral control gear	ULOR	47%	Lifetime L90B10 (hours)	> 55,000
Driver	Constant current (CC)	CIE flux code n°3	27	Variants (1-10V, DALI)	Compatible with EN/ IEC 60598-2-22: Suitable for emergency installations as central supply, non-maintained (Z0)
Input voltage	220-240 V 50/60 Hz	Dimming type	On/Off, 1-10V, DALI		

STARTECH 1
ST-10336



Accessories



Anchor bolt
A10391