

**STARTECH 1 (ST-10346)**



**Product description**

193x193 mm - 1080 mm



**Luminaire Structure**

- Die-cast aluminium housing and extruded aluminium column pre-treated before powder coating ensuring high corrosion resistance
- Single cable entry
- One IP68 connector supplied with 0.2 m of 3x1.0 sqmm outdoor cable

- Stainless steel fasteners in grade 316
- Durable silicone rubber gasket
- Opal glass diffuser

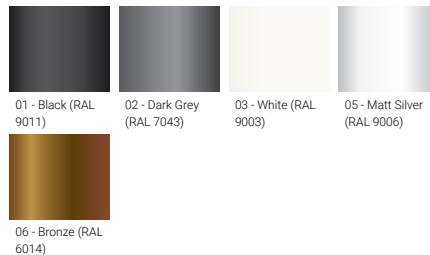
- Integral control gear

**Optic**

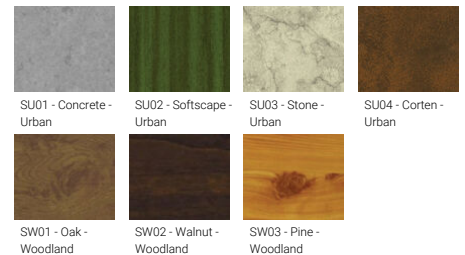


G

**Product colour**



**Special finishes upon request**



**STARTECH 1 (ST-10346)**

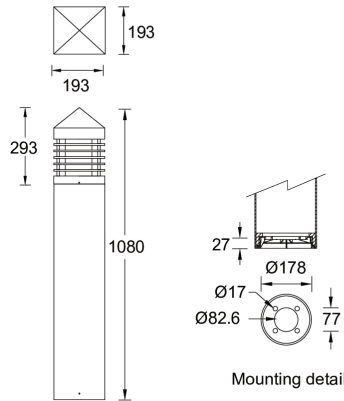
**Technical information**

<b>Material</b>	Aluminium
<b>Light source</b>	1 COB
<b>Power</b>	41 W
<b>Lumen</b>	403 - 407 lm
<b>Efficacy</b>	10 lm/W
<b>Driver option</b>	Integral control gear
<b>Driver</b>	Constant current (CC)
<b>Input voltage</b>	220-240 V 50/60 Hz

<b>Optic</b>	G
<b>Optic value</b>	360°
<b>CCT / CRI</b>	3000K CRI80, 4000K CRI80
<b>Bug</b>	B0-U3-G1
<b>ULR</b>	47%
<b>ULOR</b>	47%
<b>CIE flux code n°3</b>	27
<b>Dimming type</b>	On/Off, 1-10V, DALI

<b>Product colours</b>	Black, Dark Grey, White, Matt Silver, Bronze, Concrete - Urban, Softscape - Urban, Stone - Urban, Corten - Urban, Oak - Woodland, Walnut - Woodland, Pine - Woodland
<b>Weight</b>	11.8 kg
<b>Operating temperature</b>	-20 °C to 40 °C
<b>Lens / Reflector / Optic</b>	Opal toughened glass diffuser
<b>MacAdam Ellipse</b>	3 SDCM
<b>Lifetime L90B10 (hours)</b>	> 55,000
<b>Variants (1-10V, DALI)</b>	Compatible with EN/ IEC 60598-2-22: Suitable for emergency installations as central supply, non-maintained (Z0)

STARTECH 1  
ST-10346



**Accessories**



Anchor bolt  
**A10391**



Power connection box (IP65)  
modification upon request  
**POWER-BOX-IP65**