

STARTECH 2 (ST-10366)



Product description

193x193 mm - 1091 mm



Luminaire Structure

- Die-cast aluminium housing and extruded aluminium column pre-treated before powder coating ensuring high corrosion resistance
- Single cable entry
- One IP68 connector supplied with 0.2 m of 3x1.0 sqmm outdoor cable

- Stainless steel fasteners in grade 316
- Durable silicone rubber gasket
- Opal glass diffuser

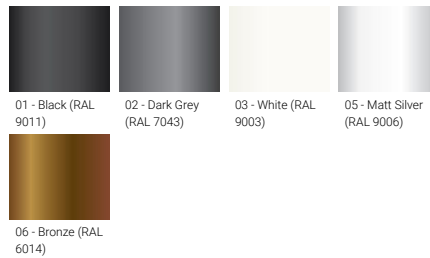
- Integral control gear

Optic

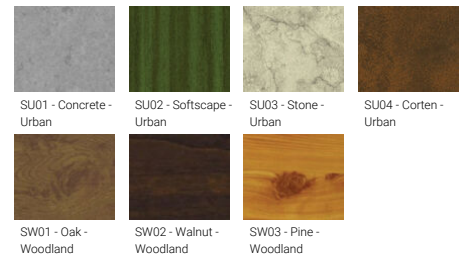


G

Product colour



Special finishes upon request

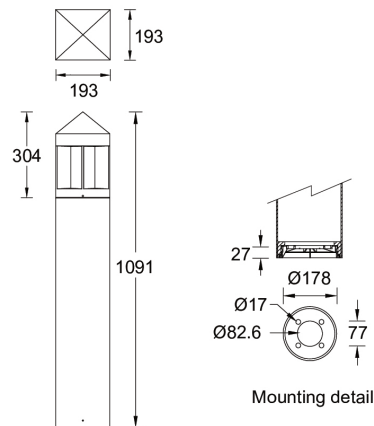


STARTECH 2 (ST-10366)

Technical information

Material	Aluminium	Optic	G	Product colours	Black, Dark Grey, White, Matt Silver, Bronze, Concrete - Urban, Softscape - Urban, Stone - Urban, Corten - Urban, Oak - Woodland, Walnut - Woodland, Pine - Woodland	
Light source	1 COB	Optic value	360°			
Power	41 W	CCT / CRI	3000K CRI80, 4000K CRI80			
Lumen	1018 - 1030 lm	Bug	B1-U3-G1			
Efficacy	25 lm/W	ULR	46%			
Driver option	Integral control gear	ULOR	46%			
Driver	Constant current (CC)	CIE flux code n°3	66			
Input voltage	220-240 V 50/60 Hz	Dimming type	On/Off, 1-10V, DALI			
					Weight	12.2 kg
					Operating temperature	-20 °C to 40 °C
				Lens / Reflector / Optic	Opal toughened glass diffuser	
				MacAdam Ellipse	3 SDCM	
				Lifetime L90B10 (hours)	> 55,000	
				Variants (1-10V, DALI)	Compatible with EN/ IEC 60598-2-22: Suitable for emergency installations as central supply, non-maintained (Z0)	

STARTECH 2
ST-10366



Accessories



Anchor bolt
A10391



Power connection box (IP65)
modification upon request
POWER-BOX-IP65