

TANGO 29 (TA-31863)



Product description

Ø186 - 274 mm - Down - Round



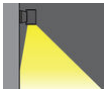
Luminaire Structure

- Die-cast aluminium housing and frame
- Pre-treated before powder coating ensuring high corrosion resistance
- Single cable entry
- Stainless steel fasteners in grade 304 with zinc flake coating (ZFC)

- Durable silicone rubber gasket
- Clear toughened glass
- High-efficiency optical reflector
- Integral control gear

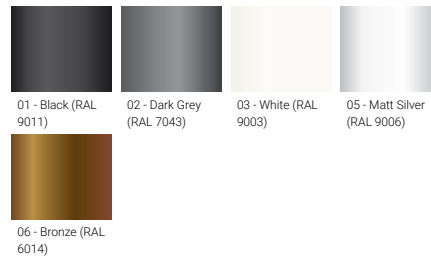
- Optional surface mounting box for easy wiring or conduit connection when wiring from behind is not possible
- TANGO luminaires with uplight and colder than 3000K CCT do not meet the IDA certification requirements

Optic

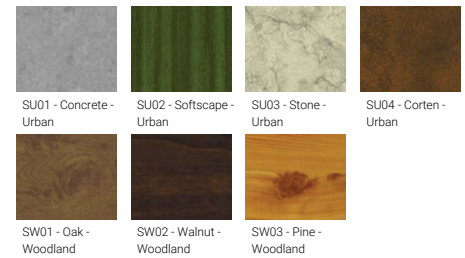


AS

Product colour



Special finishes upon request

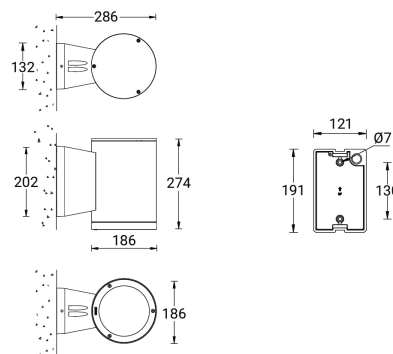


TANGO 29 (TA-31863)

Technical information

Material	Aluminium	Optic	AS	Product colours	Black, Dark Grey, White, Matt Silver, Bronze, Concrete - Urban, Softscape - Urban, Stone - Urban, Corten - Urban, Oak - Woodland, Walnut - Woodland, Pine - Woodland
Light source	1 COB	Optic value	46°x56°	Weight	4.4 kg
Power	42 W	CCT / CRI	3000K CRI80, 4000K CRI80	Operating temperature	-20 °C to 40 °C
Lumen	3377 - 3418 lm	Bug	B2-U0-G0	Through wiring	Single cable entry
Efficacy	80 - 81 lm/W	ULR	0%	Lens / Reflector / Optic	Clear toughened glass, High-efficiency optical reflector
Driver option	Integral control gear	ULOR	0%	MacAdam Ellipse	3 SDCM
Driver	Constant current (CC)	CIE flux code n°3	100	Lifetime L90B10 (hours)	> 55,000
Input voltage	220-240 V 50/60 Hz	Dimming type	On/Off, DALI	Variants (DALI)	Compatible with EN/ IEC 60598-2-22: Suitable for emergency installations as central supply, non-maintained (Z0)

TA-31863



Accessories



Surface mounting box for easy cabling (TANGO 29)
SCE-TANGO-29



DALI Control System
Control-DALI