

TANGO 30 (TA-31871)



Product description

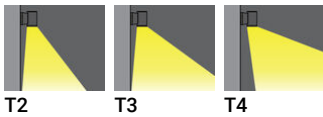
186x186 mm - 274 mm - Down - Square



Luminaire Structure

- Die-cast aluminium housing and frame
- Pre-treated before powder coating ensuring high corrosion resistance
- Single cable entry
- Stainless steel fasteners in grade 304 with zinc flake coating (ZFC)
- Durable silicone rubber gasket
- Clear toughened glass
- High-efficiency PMMA lens
- Integral control gear
- Optional surface mounting box for easy wiring or conduit connection when wiring from behind is not possible
- TANGO luminaires with uplight and colder than 3000K CCT do not meet the IDA certification requirements

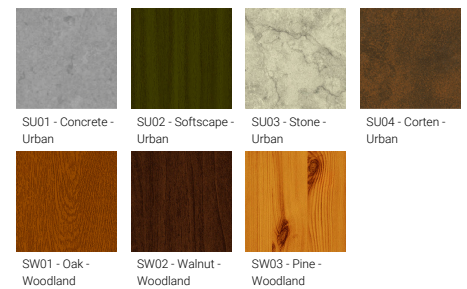
Optic



Product colour



Special finishes upon request



TANGO 30 (TA-31871)

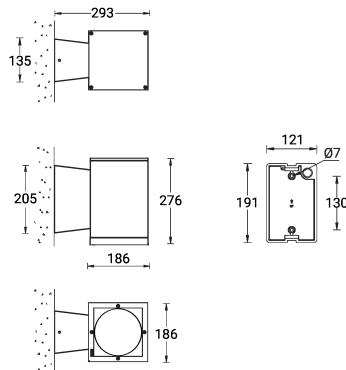
Technical information

Material	Aluminium
Light source	16 LED
Power	35 W
Lumen	3476 - 3763 lm
Efficacy	99 - 108 lm/W
Driver option	Integral control gear
Driver	Constant current (CC)
Input voltage	220-240 V 50/60 Hz
Optic	T2, T3, T4

Optic value	138°x43°, 147°x78°, 11°x80°
CCT / CRI	3000K CRI80, 4000K CRI80
Bug	B1-U0-G1
ULR	<1%
ULOR	<1%
CIE flux code n°3	98
Dimming type	On/Off, 1-10V, DALI
Product colours	Black, Dark Grey, White, Matt Silver, Bronze, Concrete - Urban, Softscape - Urban, Stone - Urban, Corten - Urban, Oak - Woodland, Walnut - Woodland, Pine - Woodland
Weight	6.5 kg

Operating temperature	-20 °C to 40 °C
Through wiring	Single cable entry
Lens / Reflector / Optic	Clear toughened glass, High-efficiency PMMA lens
MacAdam Ellipse	3 SDCM
Lifetime L90B10 (hours)	> 90,000
Lifetime L80B10 (hours)	> 90,000
Lifetime L80B50 (hours)	> 90,000
Variants (1-10V)	Compatible with EN/ IEC 60598-2-22: Suitable for emergency installations as central supply, non-maintained (Z0)

TA-31871



TANGO 30 (TA-31871)**Accessory**



Surface mounting box for easy
cabling (TANGO 30)
SCE-TANGO-30



DALI Control System
Control-DALI
