

TANGO 31 (TA-31881)



Product description

Ø186 - 288 mm - Down (Optic) & Up (Optic 2nd) - Round



microVOS™
TECHNOLOGY



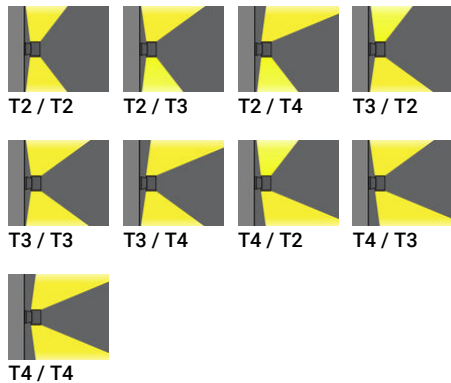
Luminaire Structure

- Die-cast aluminium housing and frame
- Pre-treated before powder coating ensuring high corrosion resistance
- Single cable entry
- Stainless steel fasteners in grade 304 with zinc flake coating (ZFC)

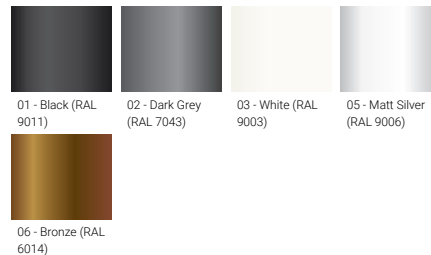
- Durable silicone rubber gasket
- Clear toughened glass
- High-efficiency PMMA lens
- Integral control gear

- Optional surface mounting box for easy wiring or conduit connection when wiring from behind is not possible
- TANGO luminaires with uplight and colder than 3000K CCT do not meet the IDA certification requirements

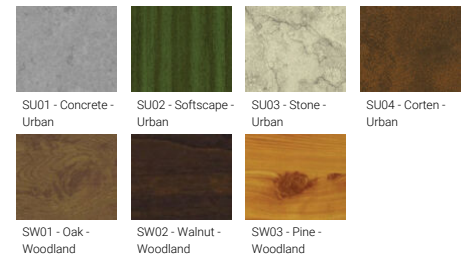
Optic



Product colour



Special finishes upon request



TANGO 31 (TA-31881)

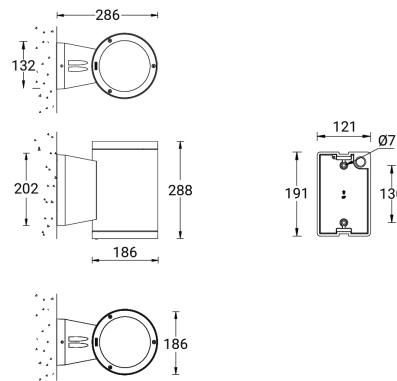
Technical information

Material	Aluminium
Light source	16 & 16 LED
Power	70 W
Lumen	6952 - 7820 lm
Efficacy	99 - 112 lm/W
Driver option	Integral control gear
Driver	Constant current (CC)
Input voltage	220-240 V 50/60 Hz
Optic	T2, T3, T4
Optic value	140°x46°, 139°x68°, 90°x76°

Optic (2nd)	T2, T3, T4
Optic (2nd) value	140°x46°, 139°x68°, 90°x76°
CCT / CRI	3000K CRI80, 4000K CRI80
Bug	B1-U5-G1
ULR	49%, 50%, 51%
ULOR	49%, 50%, 51%
CIE flux code n°3	98
Dimming type	On/Off, 1-10V, DALI
Product colours	Black, Dark Grey, White, Matt Silver, Bronze, Concrete - Urban, Softscape - Urban, Stone - Urban, Corten - Urban, Oak - Woodland, Walnut - Woodland, Pine - Woodland
Weight	6.4 kg

Operating temperature	-20 °C to 40 °C
Through wiring	Single cable entry
Lens / Reflector / Optic	Clear toughened glass, High-efficiency PMMA lens
MacAdam Ellipse	3 SDCM
Lifetime L90B10 (hours)	> 90,000
Lifetime L80B10 (hours)	> 90,000
Lifetime L80B50 (hours)	> 90,000
Variants (1-10V)	Compatible with EN/ IEC 60598-2-22: Suitable for emergency installations as central supply, non-maintained (Z0)

TA-31881



Accessories



Surface mounting box for easy cabling (TANGO 31)
SCE-TANGO-31



DALI Control System
Control-DALI