

TANGO 32 (TA-31893)



Product description

186x186 mm - 290 mm - Down (Optic) & Up (Optic 2nd) - Square



Luminaire Structure

- Die-cast aluminium housing and frame
- Pre-treated before powder coating ensuring high corrosion resistance
- Single cable entry
- Stainless steel fasteners in grade 304 with zinc flake coating (ZFC)

- Durable silicone rubber gasket
- Clear toughened glass
- High-efficiency optical reflector
- Integral control gear

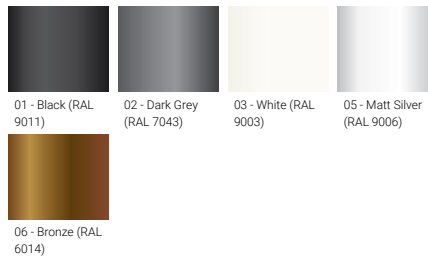
- Optional surface mounting box for easy wiring or conduit connection when wiring from behind is not possible
- TANGO luminaires with uplight and colder than 3000K CCT do not meet the IDA certification requirements

Optic

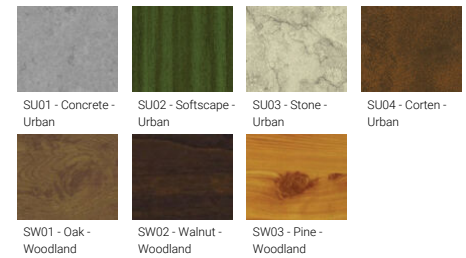


AS / AS

Product colour



Special finishes upon request



TANGO 32 (TA-31893)

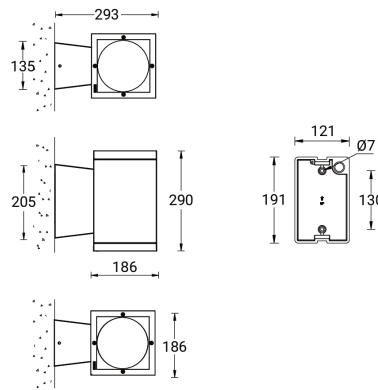
Technical information

Material	Aluminium
Light source	1 COB
Power	58 W
Lumen	5070 - 5132 lm
Efficacy	87 - 88 lm/W
Driver option	Integral control gear
Driver	Constant current (CC)
Input voltage	220-240 V 50/60 Hz

Optic	AS
Optic value	46°x56°
Optic (2nd)	AS
Optic (2nd) value	46°x56°
CCT / CRI	3000K CRI80, 4000K CRI80
Dimming type	On/Off, 1-10V, DALI
Product colours	Black, Dark Grey, White, Matt Silver, Bronze, Concrete - Urban, Softscape - Urban, Stone - Urban, Corten - Urban, Oak - Woodland, Walnut - Woodland, Pine - Woodland
Weight	8.4 kg

Operating temperature	-20 °C to 40 °C
Through wiring	Single cable entry
Lens / Reflector / Optic	Clear toughened glass, High-efficiency optical reflector
MacAdam Ellipse	3 SDCM
Lifetime L90B10 (hours)	> 55,000
Variants (1-10V, DALI)	Compatible with EN/ IEC 60598-2-22: Suitable for emergency installations as central supply, non-maintained (Z0)

TA-31893



Accessories



Surface mounting box for easy cabling (TANGO 32)
SCE-TANGO-32



DALI Control System
Control-DALI