

**TANGO 33** (TA-80553)**Product description**

Round

**Luminaire Structure**

- Die-cast aluminium housing
- Pre-treated before powder coating ensuring high corrosion resistance
- Single cable entry
- Stainless steel fasteners in grade 304 with zinc flake coating (ZFC)

- Durable silicone rubber gasket
- High-efficiency optical reflector
- Clear toughened glass
- Integral control gear

- Optional surface mounting box for easy wiring or conduit connection when wiring from behind is not possible

**Optic**

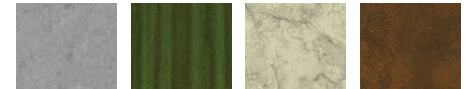
AS

**Product colour**

01 - Black (RAL 9011)    02 - Dark Grey (RAL 7043)    03 - White (RAL 9003)    05 - Matt Silver (RAL 9006)



06 - Bronze (RAL 6014)

**Special finishes upon request**

SU01 - Concrete - Urban    SU02 - Softscape - Urban    SU03 - Stone - Urban    SU04 - Corten - Urban



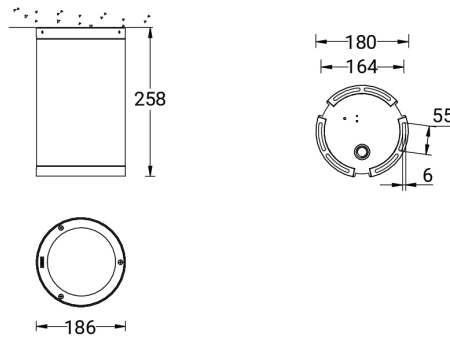
SW01 - Oak - Woodland    SW02 - Walnut - Woodland    SW03 - Pine - Woodland

**TANGO 33 (TA-80553)**

**Technical information**

<b>Material</b>	Aluminium	<b>Input voltage</b>	220-240 V 50/60 Hz	<b>Operating temperature</b>	-20 °C to 40 °C
<b>Light source</b>	1 COB	<b>Optic</b>	AS	<b>Through wiring</b>	Single cable entry
<b>Power</b>	42 W	<b>Optic value</b>	46°x 56°	<b>Lens / Reflector / Optic</b>	High-efficiency optical reflector, Clear toughened glass
<b>Lumen</b>	3377 - 3418 lm	<b>CCT / CRI</b>	3000K CRI80, 4000K CRI80	<b>MacAdam Ellipse</b>	3 SDCM
<b>Efficacy</b>	80 - 81 lm/W	<b>Dimming type</b>	On/Off, DALI	<b>Lifetime L90B10 (hours)</b>	> 55,000
<b>Driver option</b>	Integral control gear	<b>Product colours</b>	Black, Dark Grey, White, Matt Silver, Bronze, Concrete - Urban, Softscape - Urban, Stone - Urban, Corten - Urban, Oak - Woodland, Walnut - Woodland, Pine - Woodland	<b>Variants (DALI)</b>	Compatible with EN/ IEC 60598-2-22: Suitable for emergency installations as central supply, non-maintained (Z0)
<b>Driver</b>	Constant current (CC)				
		<b>Weight</b>	3.7 kg		

TA-80553



**Accessories**



Mounting ring for semi-recessed installation  
**A80281**



DALI Control System  
**Control-DALI**