

**TEXAS 1** (TE-10256-2)



**Product description**

Ø160 - 711 mm - Flat top



**Luminaire Structure**

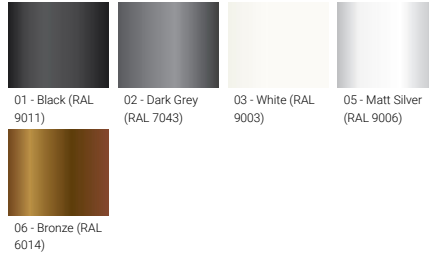
- Die-cast aluminium housing
- Extruded aluminium column
- Pre-treated before powder coating ensuring high corrosion resistance
- Single cable entry
- Stainless steel fasteners in grade 304 with zinc flake coating (ZFC)
- Durable silicone rubber gasket
- Opal toughened glass diffuser
- Integral control gear

**Optic**

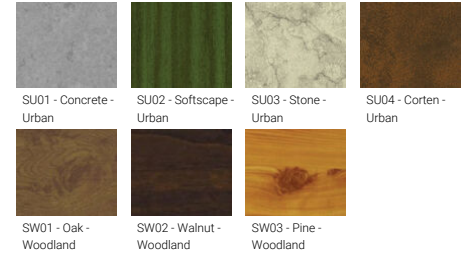


G

**Product colour**



**Special finishes upon request**

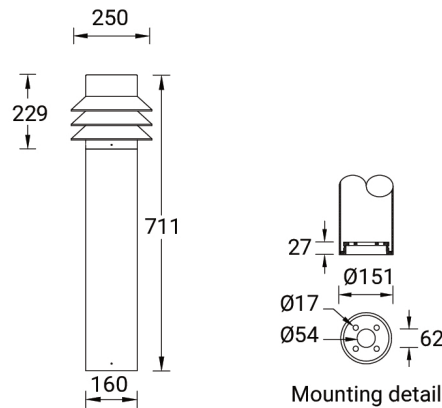


**TEXAS 1** (TE-10256-2)

**Technical information**

<b>Material</b>	Aluminium	<b>Optic</b>	G	<b>Product colours</b>	Black, Dark Grey, White, Matt Silver, Bronze, Concrete - Urban, Softscape - Urban, Stone - Urban, Corten - Urban, Oak - Woodland, Walnut - Woodland, Pine - Woodland
<b>Light source</b>	1 COB	<b>Optic value</b>	130°x 133°	<b>Weight</b>	7.6 kg
<b>Power</b>	41 W	<b>CCT / CRI</b>	3000K CRI80, 4000K CRI80	<b>Operating temperature</b>	-20 °C to 40 °C
<b>Lumen</b>	471 - 477 lm	<b>Bug</b>	B0-U1-G0	<b>Through wiring</b>	Single cable entry
<b>Efficacy</b>	11 - 12 lm/W	<b>ULR</b>	2%	<b>Lens / Reflector / Optic</b>	Opal toughened glass diffuser
<b>Driver option</b>	Integral control gear	<b>ULOR</b>	2%	<b>MacAdam Ellipse</b>	3 SDCM
<b>Driver</b>	Constant current (CC)	<b>CIE flux code n°3</b>	92	<b>Lifetime L90B10 (hours)</b>	> 55,000
<b>Input voltage</b>	220-240 V 50/60 Hz	<b>Dimming type</b>	On/Off, 1-10V, DALI	<b>Variants (1-10V, DALI)</b>	Compatible with EN/ IEC 60598-2-22: Suitable for emergency installations as central supply, non-maintained (Z0)

TEXAS 1  
TE-10256-2



**Accessories**



Anchor bolt  
A10291