

TEXAS 2 (TE-10266-2)



Product description

Ø160 - 1016 mm - Flat top



Luminaire Structure

- Die-cast aluminium housing
- Extruded aluminium column
- Pre-treated before powder coating ensuring high corrosion resistance

- Single cable entry
- Stainless steel fasteners in grade 304 with zinc flake coating (ZFC)
- Durable silicone rubber gasket

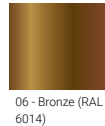
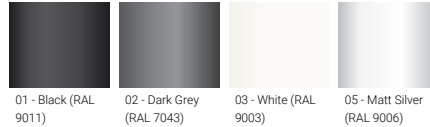
- Opal toughened glass diffuser
- Integral control gear

Optic

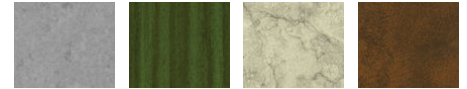


G

Product colour



Special finishes upon request

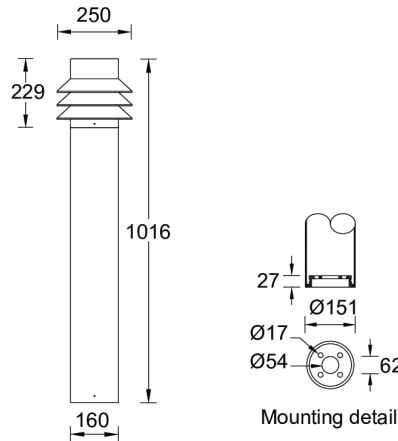


TEXAS 2 (TE-10266-2)

Technical information

Material	Aluminium	Optic	G	Product colours	Black, Dark Grey, White, Matt Silver, Bronze, Concrete - Urban, Softscape - Urban, Stone - Urban, Corten - Urban, Oak - Woodland, Walnut - Woodland, Pine - Woodland
Light source	1 COB	Optic value	130°x 133°	Weight	9.0 kg
Power	41 W	CCT / CRI	3000K CRI80, 4000K CRI80	Operating temperature	-20 °C to 40 °C
Lumen	471 - 477 lm	Bug	B0-U1-G0	Through wiring	Single cable entry
Efficacy	11 - 12 lm/W	ULR	2%	Lens / Reflector / Optic	Opal toughened glass diffuser
Driver option	Integral control gear	ULOR	2%	MacAdam Ellipse	3 SDCM
Driver	Constant current (CC)	CIE flux code n°3	92	Lifetime L90B10 (hours)	> 55,000
Input voltage	220-240 V 50/60 Hz	Dimming type	On/Off, 1-10V, DALI	Variants (1-10V, DALI)	Compatible with EN/ IEC 60598-2-22: Suitable for emergency installations as central supply, non-maintained (Z0)

TEXAS 2
TE-10266-2



Accessories



Anchor bolt
A10291



Power connection box (IP65)
modification upon request
POWER-BOX-IP65