

TEXAS 3 (TE-70167-1)



Product description

Ø160 - 460 mm - Dome top



Luminaire Structure

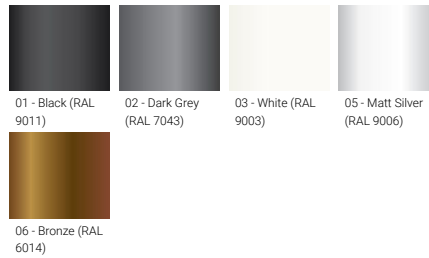
- Die-cast aluminium housing
- Extruded aluminium column
- Pre-treated before powder coating ensuring high corrosion resistance
- Single cable entry
- Stainless steel fasteners in grade 304 with zinc flake coating (ZFC)
- Durable silicone rubber gasket
- Opal toughened glass diffuser
- Integral control gear

Optic

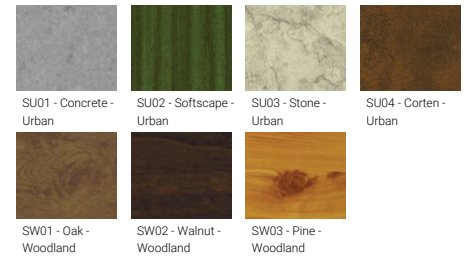


G

Product colour



Special finishes upon request



TEXAS 3 (TE-70167-1)

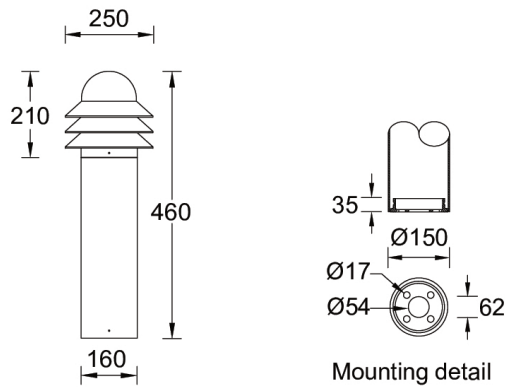
Technical information

Material	Aluminium
Light source	1 COB
Power	41 W
Lumen	471 - 477 lm
Efficacy	11 - 12 lm/W
Driver option	Integral control gear
Driver	Constant current (CC)
Input voltage	220-240 V 50/60 Hz

Optic	G
Optic value	130°x 133°
CCT / CRI	3000K CRI80, 4000K CRI80
Bug	B0-U1-G0
ULR	2%
ULOR	2%
CIE flux code n°3	92
Dimming type	On/Off, 1-10V, DALI

Product colours	Black, Dark Grey, White, Matt Silver, Bronze, Concrete - Urban, Softscape - Urban, Stone - Urban, Corten - Urban, Oak - Woodland, Walnut - Woodland, Pine - Woodland
Weight	6.4 kg
Operating temperature	-20 °C to 40 °C
Through wiring	Single cable entry
Lens / Reflector / Optic	Opal toughened glass diffuser
MacAdam Ellipse	3 SDCM
Lifetime L90B10 (hours)	> 55,000
Variants (1-10V, DALI)	Compatible with EN/ IEC 60598-2-22: Suitable for emergency installations as central supply, non-maintained (Z0)

TEXAS 3
TE-70167-1



Accessories



Anchor bolt
A10291