

**TRIANGLE 5 (TR-96142)**



**Product description**

1 side



**Luminaire Structure**

- Die-cast aluminium housing
- Pre-treated before powder coating ensuring high corrosion resistance
- Single cable entry
- One cable gland supplied with 0.5 m of 3x1.0 sqmm outdoor cable

- Stainless steel fasteners in grade 304 with zinc flake coating (ZFC)
- Durable silicone rubber gasket
- High-efficiency PMMA lens
- Clear toughened glass

- Integral control gear
- Surge protection 10kV

**Optic**



**M W EW T2**



**T3 T4**

**Product colour**

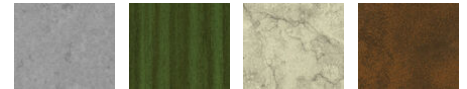


01 - Black (RAL 9011)    02 - Dark Grey (RAL 7043)    03 - White (RAL 9003)    05 - Matt Silver (RAL 9006)



06 - Bronze (RAL 6014)

**Special finishes upon request**



SU01 - Concrete - Urban    SU02 - Softscape - Urban    SU03 - Stone - Urban    SU04 - Corten - Urban



SW01 - Oak - Woodland    SW02 - Walnut - Woodland    SW03 - Pine - Woodland

**TRIANGLE 5 (TR-96142)**

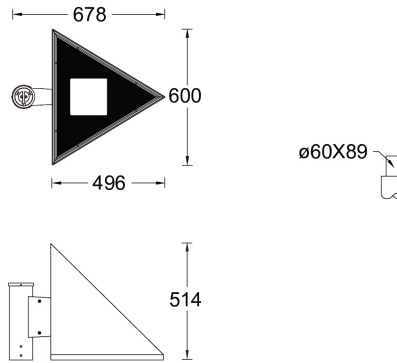
**Technical information**

|                      |                       |
|----------------------|-----------------------|
| <b>Material</b>      | Aluminium             |
| <b>Light source</b>  | 24 LED                |
| <b>Power</b>         | 54 W                  |
| <b>Lumen</b>         | 5777 - 6666 lm        |
| <b>Efficacy</b>      | 107 - 123 lm/W        |
| <b>Driver option</b> | Integral control gear |
| <b>Driver</b>        | Constant current (CC) |
| <b>Input voltage</b> | 220-240 V 50/60 Hz    |

|                              |  |
|------------------------------|--|
| <b>Optic</b>                 | M, W, EW, T2, T3, T4   |
| <b>Optic value</b>           | 30°, 52°, 108°, 144°x47°, 140°x71°, 100°x81°   |
| <b>CCT / CRI</b>             | 3000K CRI80, 4000K CRI80   |
| <b>Dimming type</b>          | On/Off, 1-10V, DALI  |
| <b>Product colours</b>       | Black, Dark Grey, White, Matt Silver, Bronze, Concrete - Urban, Softscape - Urban, Stone - Urban, Corten - Urban, Oak - Woodland, Walnut - Woodland, Pine - Woodland |
| <b>Weight</b>                | 9.7 kg   |
| <b>Operating temperature</b> | -20 °C to 40 °C  |
| <b>Cable</b>                 | One cable gland supplied with 0.5 m of 3x1.0 sqmm outdoor cable  |

|                                 |   |
|---------------------------------|---|
| <b>Through wiring</b>           | Single cable entry  |
| <b>Lens / Reflector / Optic</b> | High-efficiency PMMA lens, Clear toughened glass  |
| <b>MacAdam Ellipse</b>          | 3 SDCM  |
| <b>Lifetime L90B10 (hours)</b>  | > 90,000  |
| <b>Lifetime L80B10 (hours)</b>  | > 90,000  |
| <b>Lifetime L80B50 (hours)</b>  | > 90,000  |
| <b>Variants (1-10V, DALI)</b>   | Compatible with EN/ IEC 60598-2-22: Suitable for emergency installations as central supply, non-maintained (Z0) |

TR-96142



**Accessories**



DALI Control System  
Control-DALI