

TAURAS 1 (TU-10136-1)



Product description

Ø160 - 771 mm - Dome top



Luminaire Structure

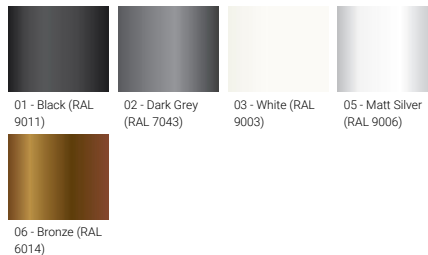
- Die-cast aluminium housing
- Extruded aluminium column
- Pre-treated before powder coating ensuring high corrosion resistance
- Single cable entry
- One IP68 connector supplied with 0.2 m of 3x1.0 sqmm outdoor cable
- Stainless steel fasteners in grade 304 with zinc flake coating (ZFC)
- Durable silicone rubber gasket
- Clear UV-stabilised polycarbonate diffuser
- Sandblast finishing aluminium reflector
- Integral control gear

Optic

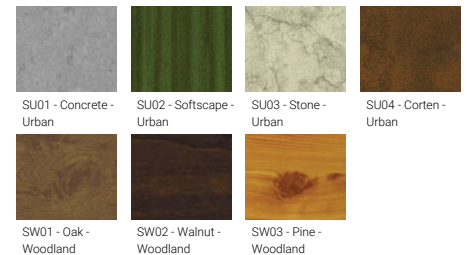


G

Product colour



Special finishes upon request

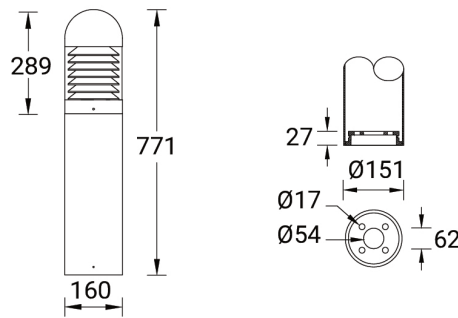


TAURAS 1 (TU-10136-1)

Technical information

| | | | | | |
|----------------------|-----------------------|--------------------------|--|---------------------------------|---|
| Material | Aluminium | Optic value | 360° | Operating temperature | -20 °C to 40 °C |
| Light source | 1 COB | CCT / CRI | 3000K CRI80, 4000K CRI80 | Cable | One IP68 connector supplied with 0.2 m of 3x1.0 sqmm outdoor cable |
| Power | 41 W | Bug | B1-U3-G1 | Through wiring | Single cable entry |
| Lumen | 962 - 974 lm | ULR | 30% | Lens / Reflector / Optic | Clear UV-stabilised polycarbonate diffuser, Sandblast finishing aluminium reflector |
| Efficacy | 23 - 24 lm/W | ULOR | 30% | MacAdam Ellipse | 3 SDCM |
| Driver option | Integral control gear | CIE flux code n°3 | 75 | Lifetime L90B10 (hours) | > 55,000 |
| Driver | Constant current (CC) | Dimming type | On/Off, 1-10V, DALI | Variants (1-10V, DALI) | Compatible with EN/ IEC 60598-2-22: Suitable for emergency installations as central supply, non-maintained (Z0) |
| Input voltage | 220-240 V 50/60 Hz | Product colours | Black, Dark Grey, White, Matt Silver, Bronze, Concrete - Urban, Softscape - Urban, Stone - Urban, Corten - Urban, Oak - Woodland, Walnut - Woodland, Pine - Woodland | | |
| Optic | G | Weight | 7.0 kg | | |

TU-10136-1



Accessories



Anchor bolt
A10291



DALI Control System
Control-DALI