

TAURAS 1 (TU-10146-2)



Product description

Ø160 - 1053 mm - Flat top



Luminaire Structure

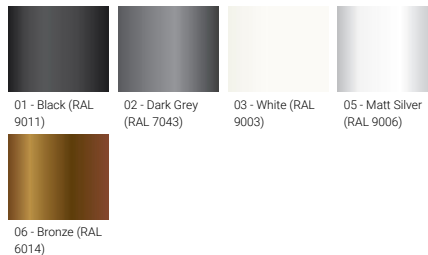
- Die-cast aluminium housing
- Extruded aluminium column
- Pre-treated before powder coating ensuring high corrosion resistance
- Single cable entry
- One IP68 connector supplied with 0.2 m of 3x1.0 sqmm outdoor cable
- Stainless steel fasteners in grade 304 with zinc flake coating (ZFC)
- Durable silicone rubber gasket
- Clear UV-stabilised polycarbonate diffuser
- Sandblast finishing aluminium reflector
- Integral control gear

Optic

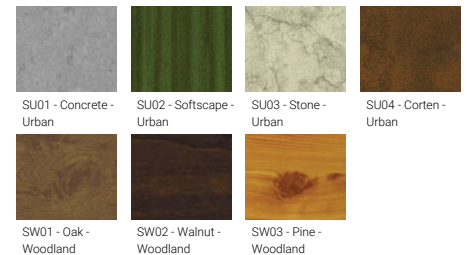


G

Product colour



Special finishes upon request

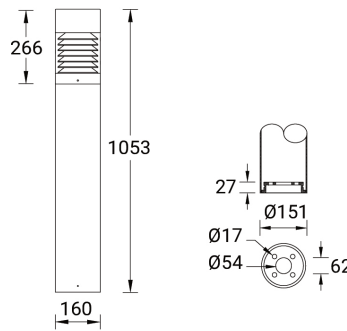


TAURAS 1 (TU-10146-2)

Technical information

Material	Aluminium	Optic value	360°	Operating temperature	-20 °C to 40 °C
Light source	1 COB	CCT / CRI	3000K CRI80, 4000K CRI80	Cable	One IP68 connector supplied with 0.2 m of 3x1.0 sqmm outdoor cable
Power	41 W	Bug	B1-U3-G1	Through wiring	Single cable entry
Lumen	962 - 974 lm	ULR	30%	Lens / Reflector / Optic	Clear UV-stabilised polycarbonate diffuser, Sandblast finishing aluminium reflector
Efficacy	23 - 24 lm/W	ULOR	30%	MacAdam Ellipse	3 SDCM
Driver option	Integral control gear	CIE flux code n°3	75	Lifetime L90B10 (hours)	> 55,000
Driver	Constant current (CC)	Dimming type	On/Off, 1-10V, DALI	Variants (1-10V, DALI)	Compatible with EN/ IEC 60598-2-22: Suitable for emergency installations as central supply, non-maintained (Z0)
Input voltage	220-240 V 50/60 Hz	Product colours	Black, Dark Grey, White, Matt Silver, Bronze, Concrete - Urban, Softscape - Urban, Stone - Urban, Corten - Urban, Oak - Woodland, Walnut - Woodland, Pine - Woodland		
Optic	G	Weight	8.2 kg		

TU-10146-2



Accessories



Anchor bolt
A10291



Power connection box (IP65)
modification upon request
POWER-BOX-IP65



DALI Control System
Control-DALI