

**TAURAS 2 (TU-10156-2-SB)****IP55****IK08****Product description**

---

Ø186 - 748 mm - Flat top - With integrated security core (Anti-traffic)

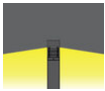
**Luminaire Structure**

---

- Die-cast aluminium housing
- Extruded aluminium column
- Pre-treated before powder coating ensuring high corrosion resistance
- Single cable entry
- One IP68 connector supplied with 0.2 m of 3x1.0 sqmm outdoor cable
- Stainless steel fasteners in grade 304 with zinc flake coating (ZFC)
- Durable silicone rubber gasket
- Clear UV-stabilised polycarbonate diffuser
- Sandblast finishing aluminium reflector
- Integral control gear

**Optic**

---

**G**

**TAURAS 2 (TU-10156-2-SB)**

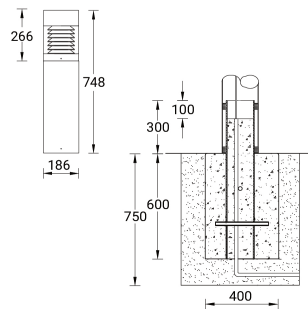
**Technical information**

<b>Light source</b>	1 COB
<b>Power</b>	41 W
<b>Lumen</b>	756 - 765 lm
<b>Efficacy</b>	18 - 19 lm/W
<b>Driver option</b>	Integral control gear
<b>Driver</b>	Constant current (CC)
<b>Input voltage</b>	220-240 V 50/60 Hz

<b>Optic</b>	G
<b>Optic value</b>	360°
<b>CCT / CRI</b>	3000K CRI80, 4000K CRI80
<b>Bug</b>	B0-U3-G1, B1-U3-G1
<b>ULR</b>	32%
<b>ULOR</b>	32%
<b>CIE flux code n°3</b>	72

<b>Dimming type</b>	On/Off, 1-10V, DALI
<b>Weight</b>	8.2 kg
<b>Operating temperature</b>	-20 °C to 40 °C
<b>Cable</b>	One IP68 connector supplied with 0.2 m of 3x1.0 sqmm outdoor cable
<b>Through wiring</b>	Single cable entry
<b>Lens / Reflector / Optic</b>	Clear UV-stabilised polycarbonate diffuser, Sandblast finishing aluminium reflector
<b>Variants (1-10V, DALI)</b>	Compatible with EN/ IEC 60598-2-22: Suitable for emergency installations as central supply, non-maintained (Z0)

TU-10156-2-SB



**Accessories**



DALI Control System  
Control-DALI