

UTAH 1 (UT-50553) (Version 3)**Product description**

Without remote driver - Constant current (CC) 500 mA
- Class III

**Luminaire Structure**

- Die-cast aluminium housing
- Pre-treated before powder coating ensuring high corrosion resistance
- Single cable entry
- One cable gland supplied with 0.5 m of 3x1.0 sqmm outdoor cable

- Stainless steel fasteners in grade 304 with zinc flake coating (ZFC)
- Durable silicone rubber gasket
- High-efficiency PMMA lens
- Clear toughened glass

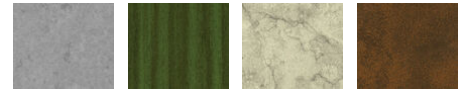
- Remote driver (not included)
- Plastic ground spike for garden type

Optic**N****Product colour**

01 - Black (RAL 9011) 02 - Dark Grey (RAL 7043) 03 - White (RAL 9003) 05 - Matt Silver (RAL 9006)



06 - Bronze (RAL 6014)

Special finishes upon request

SU01 - Concrete - Urban SU02 - Softscape - Urban SU03 - Stone - Urban SU04 - Corten - Urban



SW01 - Oak - Woodland SW02 - Walnut - Woodland SW03 - Pine - Woodland

UTAH 1 (UT-50553) (Version 3)

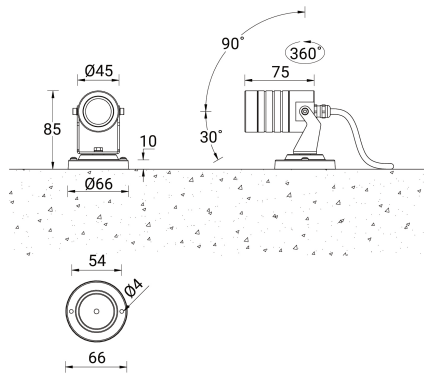
Technical information

Material	Aluminium
Light source	1 LED
Power	2 W
Lumen	191 - 201 lm
Efficacy	96 - 101 lm/W
Driver option	Remote driver (not included)
Driver	Constant current (CC)
Input voltage	500 mA, 3 VDC

Optic	N
Optic value	22°
CCT / CRI	3000K CRI80, 4000K CRI80
Bug	B0-U0-G0
CIE flux code n°3	100
Dimming type	On/Off, 1-10V, DALI
Product colours	Black, Dark Grey, White, Matt Silver, Bronze, Concrete - Urban, Softscape - Urban, Stone - Urban, Corten - Urban, Oak - Woodland, Walnut - Woodland, Pine - Woodland
Weight	0.27 kg.

Operating temperature	-20 °C to 40 °C
Cable	One cable gland supplied with 0.5 m of 3x1.0 sqmm outdoor cable
Through wiring	Single cable entry
Lens / Reflector / Optic	High-efficiency PMMA lens, Clear toughened glass
MacAdam Ellipse	3 SDCM
Lifetime L90B10 (hours)	> 109,000
Lifetime L80B10 (hours)	> 109,000
Lifetime L80B50 (hours)	> 109,000

UT-50553



Accessories



Anti-glare visor
A51431



DALI Control System
Control-DALI



Remote box IP65
A80191



Driver (CC) - DALI - 20 W - IP20 -
700 mA max
A32691-DA

UTAH 1 (UT-50553) (Version 3)

Driver (CC)- 1-10V - 20 W - IP20 -
700 mA max
A32691-DI



Driver (CC) - On/Off - 20 W - IP20
- 700 mA max
A32691-ND
