

UTAH 2 (UT-50562) (Version 4)**Product description**

Without remote driver - With spike - Constant voltage (CV) 24 V - Class III

**Luminaire Structure**

- Die-cast aluminium housing
- Pre-treated before powder coating ensuring high corrosion resistance
- Single cable entry
- One cable gland supplied with 0.5 m of 3x1.0 sqmm outdoor cable

- Stainless steel fasteners in grade 304 with zinc flake coating (ZFC)
- Durable silicone rubber gasket
- High-efficiency PMMA lens
- Clear toughened glass

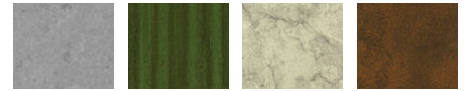
- Remote driver (not included)
- Plastic ground spike for garden type

Optic**N****Product colour**

01 - Black (RAL 9011) 02 - Dark Grey (RAL 7043) 03 - White (RAL 9003) 05 - Matt Silver (RAL 9006)



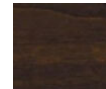
06 - Bronze (RAL 6014)

Special finishes upon request

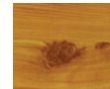
SU01 - Concrete - Urban SU02 - Softscape - Urban SU03 - Stone - Urban SU04 - Corten - Urban



SW01 - Oak - Woodland



SW02 - Walnut - Woodland



SW03 - Pine - Woodland

UTAH 2 (UT-50562) (Version 4)

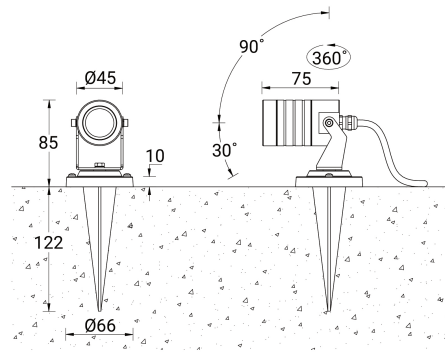
Technical information

Material	Aluminium
Light source	1 LED
Power	2 W
Lumen	191 - 201 lm
Efficacy	96 - 101 lm/W
Driver option	Remote driver (not included)
Driver	Constant voltage (CV)
Input voltage	24 VDC

Optic	N
Optic value	22°
CCT / CRI	3000K CRI80, 4000K CRI80
Bug	B0-U0-G0
ULR	0%
ULOR	0%
CIE flux code n°3	100
Dimming type	On/Off

Product colours	Black, Dark Grey, White, Matt Silver, Bronze, Concrete - Urban, Softscape - Urban, Stone - Urban, Corten - Urban, Oak - Woodland, Walnut - Woodland, Pine - Woodland
Weight	0.27 kg.
Operating temperature	-20 °C to 40 °C
Cable	One cable gland supplied with 0.5 m of 3x1.0 sqmm outdoor cable
Through wiring	Single cable entry
Lens / Reflector / Optic	High-efficiency PMMA lens, Clear toughened glass

UT-50562



Accessories



Anti-glare visor
A51431



Driver (CV) - On/Off - 36 W - IP67
- 24 V
A34491-ND



Driver (CV) - On/Off - 60 W - IP67
- 24 V
A34591-ND



Driver (CV) - On/Off - 100 W - IP67 - 24 V
A34791-ND

UTAH 2 (UT-50562) (Version 4)

Driver (CV) - On/Off - 150 W -
IP67 - 24 V
A34891-ND



Driver (CV) - On/Off - 200 W -
IP67 - 24 V
A34991-ND



Driver (CV) - On/Off - 350 W -
IP67 - 24 V
A35091-ND
