

UTAH 2 (UT-50563) (Version 3)



Product description

Without remote driver - With spike - Constant current (CC) 500 mA - Class III



Luminaire Structure

- Die-cast aluminium housing
- Pre-treated before powder coating ensuring high corrosion resistance
- Single cable entry
- One cable gland supplied with 0.5 m of 3x1.0 sqmm outdoor cable

- Stainless steel fasteners in grade 304 with zinc flake coating (ZFC)
- Durable silicone rubber gasket
- High-efficiency PMMA lens
- Clear toughened glass

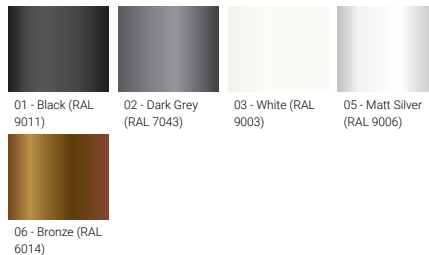
- Remote driver (not included)
- Plastic ground spike for garden type

Optic

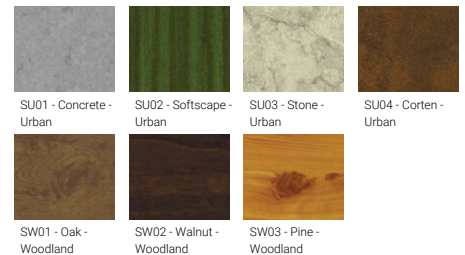


N

Product colour



Special finishes upon request



UTAH 2 (UT-50563) (Version 3)

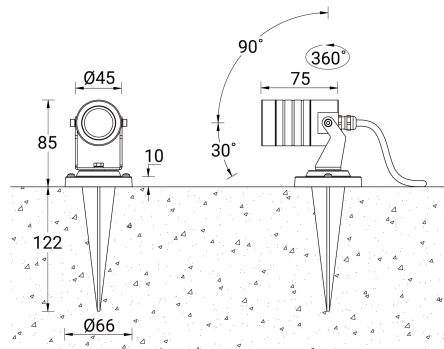
Technical information

Material	Aluminium
Light source	1 LED
Power	2 W
Lumen	191 - 201 lm
Efficacy	96 - 101 lm/W
Driver option	Remote driver (not included)
Driver	Constant current (CC)
Input voltage	500 mA, 3 VDC

Optic	N
Optic value	22°
CCT / CRI	3000K CRI80, 4000K CRI80
Bug	B0-U0-G0
ULR	0%
ULOR	0%
CIE flux code n°3	100
Dimming type	On/Off

Product colours	Black, Dark Grey, White, Matt Silver, Bronze, Concrete - Urban, Softscape - Urban, Stone - Urban, Corten - Urban, Oak - Woodland, Walnut - Woodland, Pine - Woodland
Weight	0.27 kg.
Operating temperature	-20 °C to 40 °C
Cable	One cable gland supplied with 0.5 m of 3x1.0 sqmm outdoor cable
Through wiring	Single cable entry
Lens / Reflector / Optic	High-efficiency PMMA lens, Clear toughened glass

UT-50563



Accessories



Anti-glare visor
A51431



DALI Control System
Control-DALI



Remote box IP65
A80191



Driver (CC) - DALI - 20 W - IP20 -
700 mA max
A32691-DA

UTAH 2 (UT-50563) (Version 3)

Driver (CC)- 1-10V - 20 W - IP20 -
700 mA max
A32691-DI



Driver (CC) - On/Off - 20 W - IP20
- 700 mA max
A32691-ND
