

UTAH 4 (UT-50565) (Version 1)**Product description**

Without remote driver - With spike - Constant voltage (CV) 24 V - Class III - RGBW

**Luminaire Structure**

- Die-cast aluminium housing
- Pre-treated before powder coating ensuring high corrosion resistance
- Single cable entry
- One cable gland supplied with 0.5 m of 5x0.75 sqmm outdoor cable

- Stainless steel fasteners in grade 304 with zinc flake coating (ZFC)
- Durable silicone rubber gasket
- High-efficiency PMMA lens
- Clear toughened glass

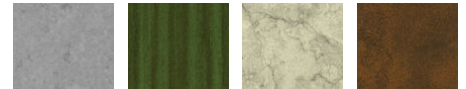
- Remote driver (not included)
- Plastic ground spike for garden type

Optic**M****Product colour**

01 - Black (RAL 9011) 02 - Dark Grey (RAL 7043) 03 - White (RAL 9003) 05 - Matt Silver (RAL 9006)



06 - Bronze (RAL 6014)

Special finishes upon request

SU01 - Concrete - Urban SU02 - Softscape - Urban SU03 - Stone - Urban SU04 - Corten - Urban



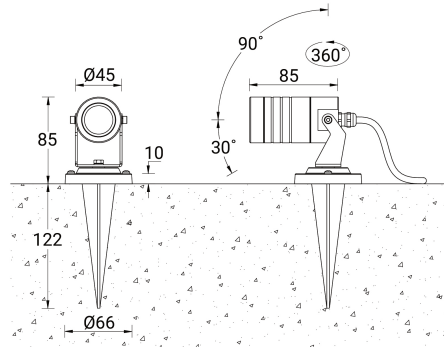
SW01 - Oak - Woodland SW02 - Walnut - Woodland SW03 - Pine - Woodland

UTAH 4 (UT-50565) (Version 1)

Technical information

Material	Aluminium	Optic value	33°	Operating temperature	-20 °C to 40 °C
Light source	1 LED	CCT / CRI	RGBW30, RGBW40	Cable	One cable gland supplied with 0.5 m of 5x0.75 sqmm outdoor cable
Power	5 W	Bug	B1-U0-G0	Through wiring	Single cable entry
Lumen	224 lm	ULR	0%	Len's / Reflector / Optic	High-efficiency PMMA lens, Clear toughened glass
Efficacy	45 lm/W	ULOR	0%	MacAdam Ellipse	7 SDCM
Driver option	Remote driver (not included)	CIE flux code n°3	99	Lifetime L90B10 (hours)	> 15,000
Driver	Constant voltage (CV)	Dimming type	DMX, DMX/RDM	Lifetime L80B10 (hours)	> 31,000
Input voltage	24 VDC	Product colours	Black, Dark Grey, White, Matt Silver, Bronze, Concrete - Urban, Softscape - Urban, Stone - Urban, Corten - Urban, Oak - Woodland, Walnut - Woodland, Pine - Woodland	Lifetime L80B50 (hours)	> 34,000
Optic	M	Weight	0.27 kg.		

UT-50565



Accessories



Anti-glare visor
A51431



DMX Control System
Control-DMX



DMX/RDM Control System
Control-DMX-RDM



Driver (CV) - On/Off - 36 W - IP67
- 24 V
A34491-ND

UTAH 4 (UT-50565) (Version 1)

Driver (CV) - On/Off - 60 W - IP67
- 24 V

A34591-ND



Driver (CV) - On/Off - 100 W -
IP67 - 24 V

A34791-ND



Driver (CV) - On/Off - 150 W -
IP67 - 24 V

A34891-ND



Driver (CV) - On/Off - 200 W -
IP67 - 24 V

A34991-ND



Driver (CV) - On/Off - 350 W -
IP67 - 24 V

A35091-ND
