

VANCOUVER 37 (VA-10073) (Version 1)



Product description

240x240 mm - 1000 mm - Decorative pattern type 3



microPrim™

Luminaire Structure

- Die-cast aluminium housing
- Extruded aluminium column
- Pre-treated before powder coating ensuring high corrosion resistance
- Single cable entry
- One IP68 connector supplied with 0.2 m of 3x1.0 sqmm outdoor cable
- Stainless steel fasteners in grade 304 with zinc flake coating (ZFC)
- Durable silicone rubber gasket
- High-efficiency polycarbonate lens
- Clear toughened glass
- Integral control gear

Optic



G

Product colour



Special finishes upon request



VANCOUVER 37 (VA-10073) (Version 1)

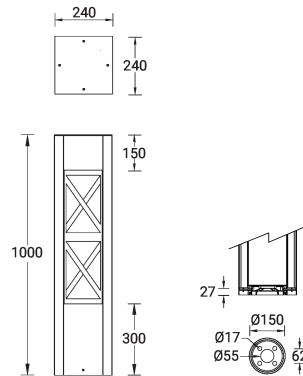
Technical information

Material	Aluminium
Light source	1 COB
Power	20 W
Lumen	1287 - 1355 lm
Efficacy	64 - 68 lm/W
Driver option	Integral control gear
Driver	Constant current (CC)
Input voltage	220-240 V 50/60 Hz
Optic	G

Optic value	137°
CCT / CRI	3000K CRI80, 4000K CRI80
Bug	B1-U1-G1
ULR	0.47, 1%
ULOR	0.47, 1%
CIE flux code n°3	91
Dimming type	On/Off, 1-10V, DALI
Product colours	Black, Dark Grey, White, Matt Silver, Bronze, Concrete - Urban, Softscape - Urban, Stone - Urban, Corten - Urban, Oak - Woodland, Walnut - Woodland, Pine - Woodland
Weight	4.4 kg

Operating temperature	-20 °C to 40 °C
Cable	One IP68 connector supplied with 0.2 m of 3x1.0 sqmm outdoor cable
Through wiring	Single cable entry
Lens / Reflector / Optic	High-efficiency polycarbonate lens, Clear toughened glass
MacAdam Ellipse	3 SDCM
Lifetime L90B10 (hours)	> 61,000
Variants (On/Off, 1-10V, DALI)	Compatible with EN/ IEC 60598-2-22: Suitable for emergency installations as central supply, non-maintained (Z0)

VA-10073



VANCOUVER 37 (VA-10073) (Version 1)**Accessory**



Anchor bolt
A10291



DALI Control System
Control-DALI



Root mount kit
A15491