

VANCOUVER 1 (VA-20001)



Product description

240x240 mm - 4500 mm - No decorative pattern - IP65



Luminaire Structure

- Die-cast aluminium housing
- Extruded aluminium column
- Pre-treated before powder coating ensuring high corrosion resistance
- Single cable entry
- One IP68 connector supplied with 0.3 m of 3x1.0 sqmm outdoor cable

- Stainless steel fasteners in grade 304 with zinc flake coating (ZFC)
- Durable silicone rubber gasket
- High-efficiency optical reflector
- Clear toughened glass
- Integral control gear

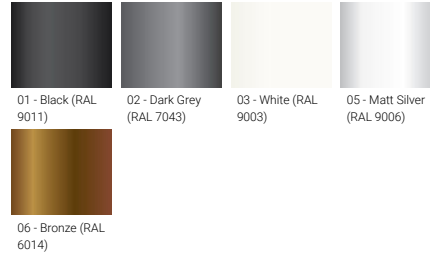
- Maximum wind load resistance is 160 km/h
- Surge protection 10kV
- VANCOUVER luminaires with projectors on top and colder than 3000K CCT do not meet the IDA certification requirements

Optic

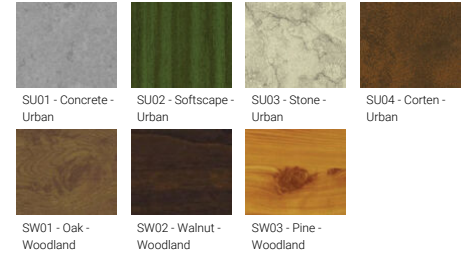


G

Product colour



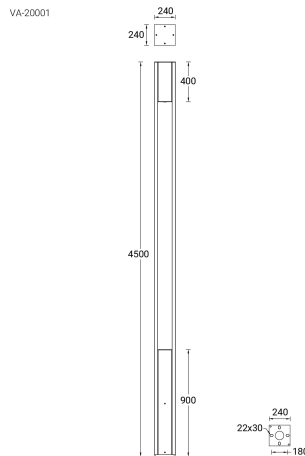
Special finishes upon request



VANCOUVER 1 (VA-20001)

Technical information

Material	Aluminium	Optic value	65°	Operating temperature	-20 °C to 40 °C
Light source	1 COB	CCT / CRI	3000K CRI80, 4000K CRI80	Cable	One IP68 connector supplied with 0.3 m of 3x1.0 sqmm outdoor cable
Power	40 W	Bug	B2-U0-G0	Through wiring	Single cable entry
Lumen	2775 - 2969 lm	ULR	0%	Lens / Reflector / Optic	High-efficiency optical reflector, Clear toughened glass
Efficacy	69 - 74 lm/W	ULOR	0%	MacAdam Ellipse	3 SDCM
Driver option	Integral control gear	CIE flux code n°3	99	Lifetime L90B10 (hours)	> 50,700
Driver	Constant current (CC)	Dimming type	On/Off, 1-10V, DALI	Lifetime L80B10 (hours)	> 63,500
Input voltage	220-240 V 50/60 Hz	Product colours	Black, Dark Grey, White, Matt Silver, Bronze, Concrete - Urban, Softscape - Urban, Stone - Urban, Corten - Urban, Oak - Woodland, Walnut - Woodland, Pine - Woodland	Lifetime L80B50 (hours)	> 63,500
Optic	G	Weight	55.0 kg	Variants (1-10V, DALI)	Compatible with EN/ IEC 60598-2-22: Suitable for emergency installations as central supply, non-maintained (Z0)



Accessories



Circuit breaker box IP44
A21291



Root mount kit
A21391



DALI Control System
Control-DALI