

VANCOUVER 16 (VA-20112)



Product description

240x240 mm - 4400 mm - No decorative pattern
(Optic) - 2 projectors (Optic 2nd) IP66 - RGBW



Luminaire Structure

- Die-cast aluminium housing
- Extruded aluminium column
- Pre-treated before powder coating ensuring high corrosion resistance
- Single cable entry
- One IP68 connector supplied with 0.3 m of 5x1.5 sqmm outdoor cable

- Stainless steel fasteners in grade 304 with zinc flake coating (ZFC)
- Durable silicone rubber gasket
- High-efficiency polycarbonate lens
- Clear toughened glass
- Integral control gear

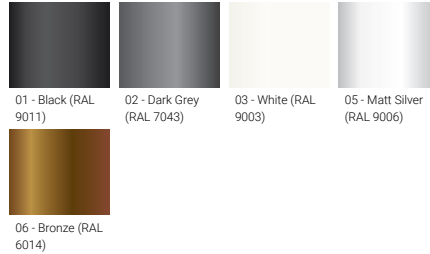
- Maximum wind load resistance is 160 km/h
- Surge protection 10kV
- VANCOUVER luminaires with projectors on top and colder than 3000K CCT do not meet the IDA certification requirements

Optic



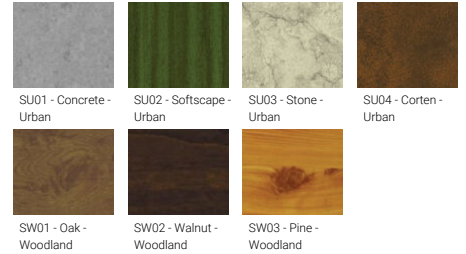
E / N E / M E / E

Product colour



01 - Black (RAL 9011) 02 - Dark Grey (RAL 7043) 03 - White (RAL 9003) 05 - Matt Silver (RAL 9006)
06 - Bronze (RAL 6014)

Special finishes upon request



SU01 - Concrete - Urban SU02 - Softscape - Urban SU03 - Stone - Urban SU04 - Corten - Urban
SW01 - Oak - Woodland SW02 - Walnut - Woodland SW03 - Pine - Woodland

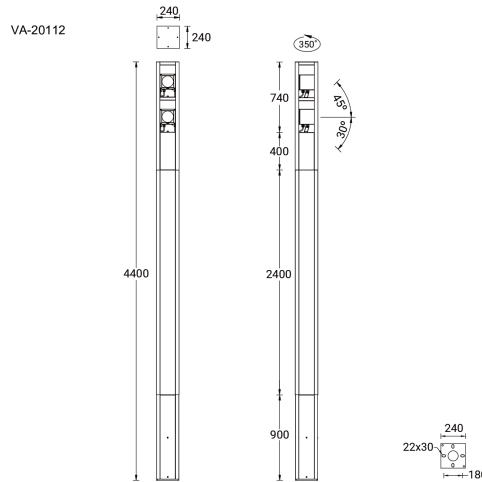
VANCOUVER 16 (VA-20112)

Technical information

| | |
|----------------------|--------------------------------|
| Material | Aluminium |
| Light source | 7 LED & 2 x 7 LED (Projectors) |
| Power | 99 W |
| Lumen | 3042 - 4053 lm |
| Efficacy | 31 - 41 lm/W |
| Driver option | Integral control gear |
| Driver | Constant current (CC) |
| Input voltage | 220-240 V 50/60 Hz |
| Optic | N, M, E |

| | |
|--------------------------|--------------------|
| Optic value | 21°, 35°, 48°x26° |
| Optic (2nd) | N, M, E |
| Optic (2nd) value | 21°, 35°, 48°x26° |
| CCT / CRI | RGBW30, RGBW40 |
| Bug | B1-U0-G0, B2-U0-G0 |
| ULR | 0% |
| ULOR | 0% |
| CIE flux code n°3 | 100 |
| Dimming type | DMX, DMX/RDM |

| | |
|---------------------------------|--|
| Product colours | Black, Dark Grey, White, Matt Silver, Bronze, Concrete - Urban, Softscape - Urban, Stone - Urban, Corten - Urban, Oak - Woodland, Walnut - Woodland, Pine - Woodland |
| Weight | 60.4 kg |
| Operating temperature | -20 °C to 40 °C |
| Cable | One IP68 connector supplied with 0.3 m of 5x1.5 sqmm outdoor cable |
| Through wiring | Single cable entry |
| Lens / Reflector / Optic | High-efficiency polycarbonate lens, Clear toughened glass |
| Lifetime L90B10 (hours) | > 15,000 |
| Lifetime L80B10 (hours) | > 31,000 |
| Lifetime L80B50 (hours) | > 34,000 |



Accessories



Circuit breaker box IP44
A21291



Root mount kit
A21391



DMX Control System
Control-DMX



DMX/RDM Control System
Control-DMX-RDM