

VANCOUVER 17 (VA-20123)



Product description

240x240 mm - 4810 mm - Decorative pattern type 1
(Optic) - 3 projectors (Optic 2nd) IP66 - RGBW



Luminaire Structure

- Die-cast aluminium housing
- Extruded aluminium column
- Pre-treated before powder coating ensuring high corrosion resistance
- Single cable entry
- One IP68 connector supplied with 0.3 m of 5x1.5 sqmm outdoor cable

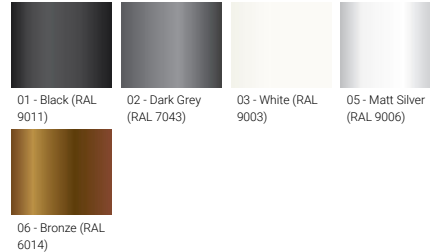
- Stainless steel fasteners in grade 304 with zinc flake coating (ZFC)
- Durable silicone rubber gasket
- High-efficiency polycarbonate lens
- Clear toughened glass
- Integral control gear

- Maximum wind load resistance is 160 km/h
- Surge protection 10kV
- VANCOUVER luminaires with projectors on top and colder than 3000K CCT do not meet the IDA certification requirements

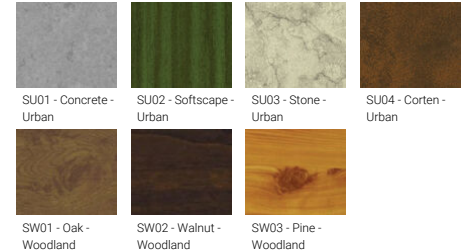
Optic



Product colour



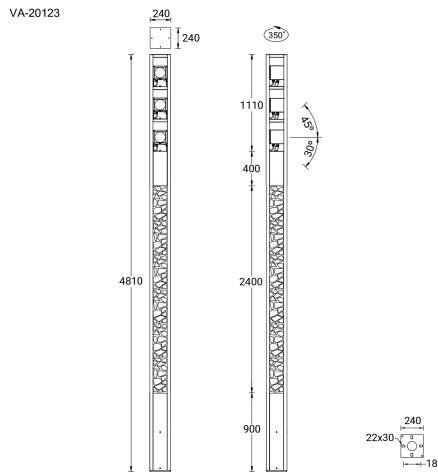
Special finishes upon request



VANCOUVER 17 (VA-20123)

Technical information

Material	Aluminium	Optic value	21°, 35°, 48°x26°	Product colours	Black, Dark Grey, White, Matt Silver, Bronze, Concrete - Urban, Softscape - Urban, Stone - Urban, Corten - Urban, Oak - Woodland, Walnut - Woodland, Pine - Woodland
Light source	7 LED & 3 x 7 LED (Projectors)	Optic (2nd)	N, M, E	Weight	67.6 kg
Power	132 W	Optic (2nd) value	21°, 35°, 48°x26°	Operating temperature	-20 °C to 40 °C
Lumen	3790 - 5225 lm	CCT / CRI	RGBW30, RGBW40	Cable	One IP68 connector supplied with 0.3 m of 5x1.5 sqmm outdoor cable
Efficacy	29 - 40 lm/W	Bug	B1-U0-G0	Through wiring	Single cable entry
Driver option	Integral control gear	ULR	0%	Lens / Reflector / Optic	High-efficiency polycarbonate lens, Clear toughened glass
Driver	Constant current (CC)	ULOR	0%	Lifetime L90B10 (hours)	> 15,000
Input voltage	220-240 V 50/60 Hz	CIE flux code n°3	100	Lifetime L80B10 (hours)	> 31,000
Optic	N, M, E	Dimming type	DMX, DMX/RDM	Lifetime L80B50 (hours)	> 34,000



Accessories



Circuit breaker box IP44
A21291



Root mount kit
A21391



DMX Control System
Control-DMX



DMX/RDM Control System
Control-DMX-RDM