

VANCOUVER 22 (VA-20171)



Product description

240x240 mm - 3700 mm - Decorative pattern type 2 - IP66 - RGBW



Luminaire Structure

- Die-cast aluminium housing
- Extruded aluminium column
- Pre-treated before powder coating ensuring high corrosion resistance
- Single cable entry
- One IP68 connector supplied with 0.3 m of 5x1.5 sqmm outdoor cable

- Stainless steel fasteners in grade 304 with zinc flake coating (ZFC)
- Durable silicone rubber gasket
- High-efficiency polycarbonate lens
- Clear toughened glass
- Integral control gear

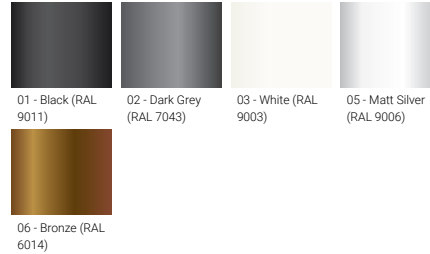
- Maximum wind load resistance is 160 km/h
- Surge protection 10kV
- VANCOUVER luminaires with projectors on top and colder than 3000K CCT do not meet the IDA certification requirements

Optic

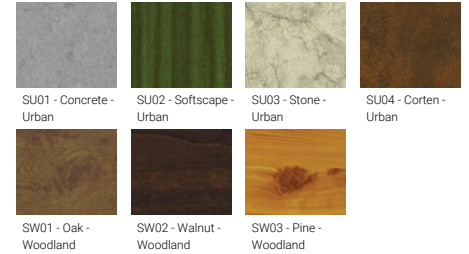


E

Product colour



Special finishes upon request



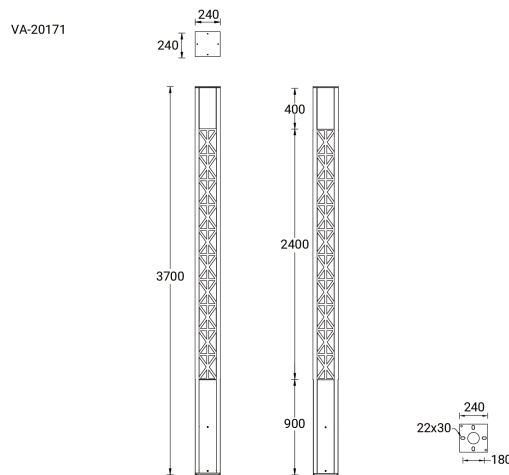
VANCOUVER 22 (VA-20171)

Technical information

Material	Aluminium
Light source	7 LED
Power	33 W
Lumen	1119 - 1429 lm
Efficacy	34 - 43 lm/W
Driver option	Integral control gear
Driver	Constant current (CC)
Input voltage	220-240 V 50/60 Hz
Optic	N, M, E

Optic value	21°, 35°, 48x26°
CCT / CRI	RGBW30, RGBW40
Bug	B1-U0-G0
ULR	0%
ULOR	0%
CIE flux code n°3	100
Dimming type	DMX, DMX/RDM
Product colours	Black, Dark Grey, White, Matt Silver, Bronze, Concrete - Urban, Softscape - Urban, Stone - Urban, Corten - Urban, Oak - Woodland, Walnut - Woodland, Pine - Woodland
Weight	55.8 kg

Operating temperature	-20 °C to 40 °C
Cable	One IP68 connector supplied with 0.3 m of 5x1.5 sqmm outdoor cable
Through wiring	Single cable entry
Lens / Reflector / Optic	High-efficiency polycarbonate lens, Clear toughened glass
MacAdam Ellipse	7 SDCM
Lifetime L90B10 (hours)	> 15,000
Lifetime L80B10 (hours)	> 31,000
Lifetime L80B50 (hours)	> 34,000



Accessories

