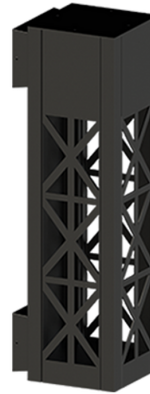


VANCOUVER 29 (VA-30032)



Product description

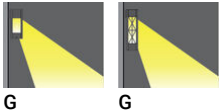
240x240 mm - 1000 mm - Decorative pattern type 2 - RGBW



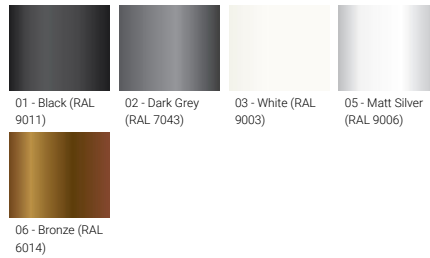
Luminaire Structure

- Die-cast aluminium housing
- Extruded aluminium column
- Pre-treated before powder coating ensuring high corrosion resistance
- Single cable entry
- Stainless steel fasteners in grade 304 with zinc flake coating (ZFC)
- Durable silicone rubber gasket
- Clear toughened glass
- High-efficiency PMMA lens
- Integral control gear

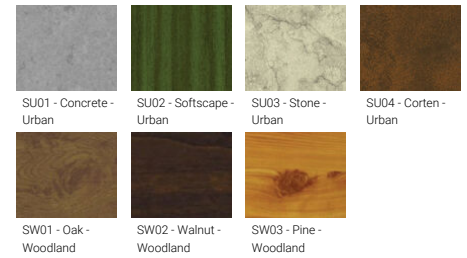
Optic



Product colour



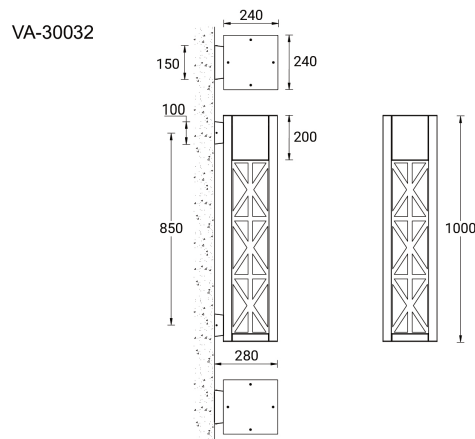
Special finishes upon request



VANCOUVER 29 (VA-30032)

Technical information

Material	Aluminium	Input voltage	220-240 V 50/60 Hz	CIE flux code n°3	99
Light source	7 LED	Optic	G	Dimming type	DMX, DMX/RDM
Power	33 W	Optic value	56°	Product colours	Black, Dark Grey, White, Matt Silver, Bronze, Concrete - Urban, Softscape - Urban, Stone - Urban, Corten - Urban, Oak - Woodland, Walnut - Woodland, Pine - Woodland
Lumen	1158 lm	CCT / CRI	RGBW30, RGBW40		
Efficacy	35 lm/W	Bug	B0-U1-G1		
Driver option	Integral control gear	ULR	0%	Weight	15.8 kg
Driver	Constant current (CC)	ULOR	0%	Operating temperature	-20 °C to 40 °C
				Through wiring	Single cable entry
				Lens / Reflector / Optic	Clear toughened glass, High-efficiency PMMA lens



Accessories



DMX Control System
Control-DMX



DMX/RDM Control System
Control-DMX-RDM