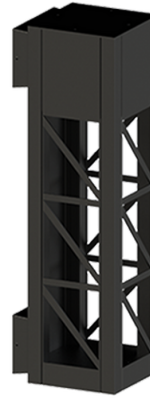


**VANCOUVER 30** (VA-30033)



**Product description**

240x240 mm - 1000 mm - Decorative pattern type 3 - RGBW



**Luminaire Structure**

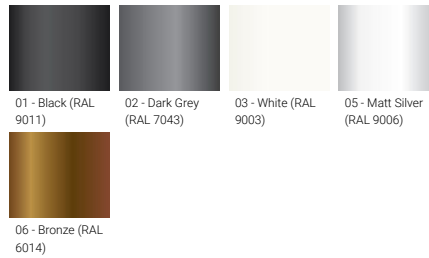
- Die-cast aluminium housing
- Extruded aluminium column
- Pre-treated before powder coating ensuring high corrosion resistance
- Single cable entry
- Stainless steel fasteners in grade 304 with zinc flake coating (ZFC)
- Durable silicone rubber gasket
- Clear toughened glass
- High-efficiency PMMA lens
- Integral control gear

**Optic**

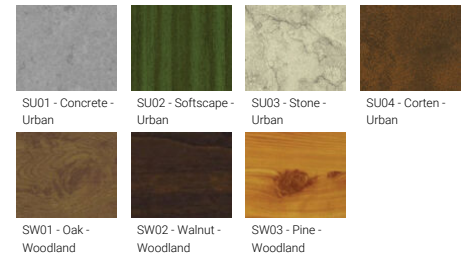


G G

**Product colour**



**Special finishes upon request**

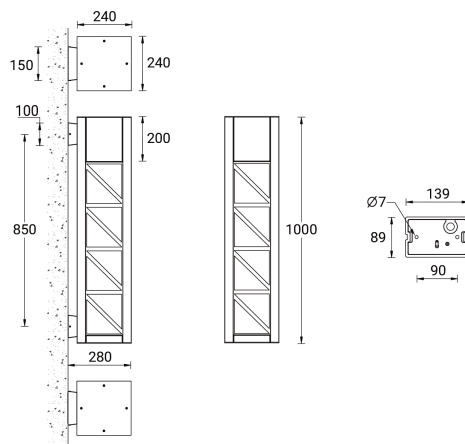


**VANCOUVER 30** (VA-30033)

**Technical information**

<b>Material</b>	Aluminium	<b>Input voltage</b>	220-240 V 50/60 Hz	<b>CIE flux code n°3</b>	100
<b>Light source</b>	7 LED	<b>Optic</b>	G	<b>Dimming type</b>	DMX, DMX/RDM
<b>Power</b>	33 W	<b>Optic value</b>	58°	<b>Product colours</b>	Black, Dark Grey, White, Matt Silver, Bronze, Concrete - Urban, Softscape - Urban, Stone - Urban, Corten - Urban, Oak - Woodland, Walnut - Woodland, Pine - Woodland
<b>Lumen</b>	1158 lm	<b>CCT / CRI</b>	RGBW30, RGBW40		
<b>Efficacy</b>	35 lm/W	<b>Bug</b>	B1-U1-G0		
<b>Driver option</b>	Integral control gear	<b>ULR</b>	0%		
<b>Driver</b>	Constant current (CC)	<b>ULOR</b>	0%	<b>Weight</b>	15.5 kg
				<b>Operating temperature</b>	-20 °C to 40 °C
				<b>Through wiring</b>	Single cable entry
				<b>Lens / Reflector / Optic</b>	Clear toughened glass, High-efficiency PMMA lens

VA-30033



**Accessories**



DMX Control System  
Control-DMX



DMX/RDM Control System  
Control-DMX-RDM