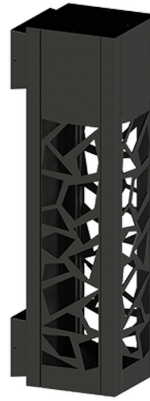


VANCOUVER 70 (VA-30051)



Product description

240x240 mm - 1000 mm - Decorative pattern type 1



Luminaire Structure

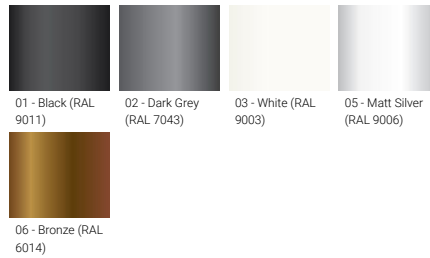
- Die-cast aluminium housing
- Extruded aluminium column
- Pre-treated before powder coating ensuring high corrosion resistance
- Single cable entry
- Stainless steel fasteners in grade 304 with zinc flake coating (ZFC)
- Durable silicone rubber gasket
- Clear toughened glass
- High-efficiency optical reflector
- Integral control gear

Optic

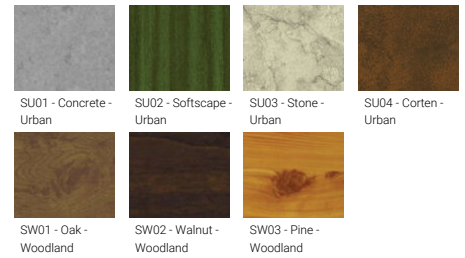


G

Product colour



Special finishes upon request

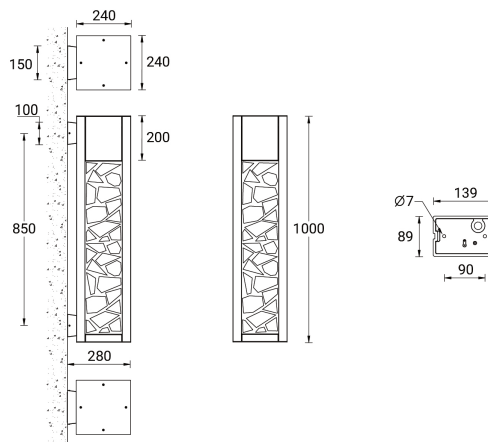


VANCOUVER 70 (VA-30051)

Technical information

Material	Aluminium	Optic	G	Lens / Reflector / Optic	Clear toughened glass, High-efficiency optical reflector	
Light source	1 COB	Optic value	134°	MacAdam Ellipse	3 SDCM	
Power	40 W	CCT / CRI	3000K CRI80, 4000K CRI80	Lifetime L90B10 (hours)	> 50,700	
Lumen	2586 - 2781 lm	Dimming type	On/Off, 1-10V, DALI	Lifetime L80B10 (hours)	> 63,500	
Efficacy	66 - 71 lm/W	Product colours	Black, Dark Grey, White, Matt Silver, Bronze, Concrete - Urban, Softscape - Urban, Stone - Urban, Corten - Urban, Oak - Woodland, Walnut - Woodland, Pine - Woodland	Lifetime L80B50 (hours)	> 63,500	
Driver option	Integral control gear			Variants (1-10V, DALI)	Compatible with EN/ IEC 60598-2-22: Suitable for emergency installations as central supply, non-maintained (Z0)	
Driver	Constant current (CC)					
Input voltage	220-240 V 50/60 Hz					
		Weight	15.8 kg			
		Operating temperature	-20 °C to 40 °C			
		Through wiring	Single cable entry			

VA-30051



Accessories



DALI Control System
Control-DALI