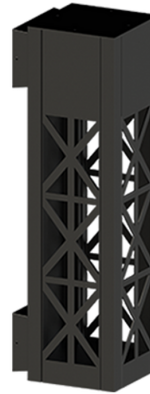


**VANCOUVER 71** (VA-30052)



**Product description**

240x240 mm - 1000 mm - Decorative pattern type 2



**Luminaire Structure**

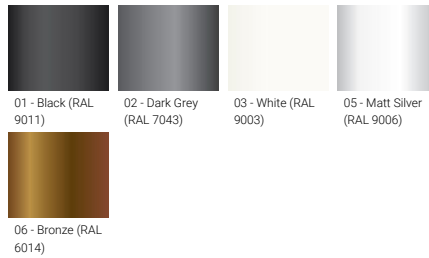
- Die-cast aluminium housing
- Extruded aluminium column
- Pre-treated before powder coating ensuring high corrosion resistance
- Single cable entry
- Stainless steel fasteners in grade 304 with zinc flake coating (ZFC)
- Durable silicone rubber gasket
- Clear toughened glass
- High-efficiency optical reflector
- Integral control gear

**Optic**

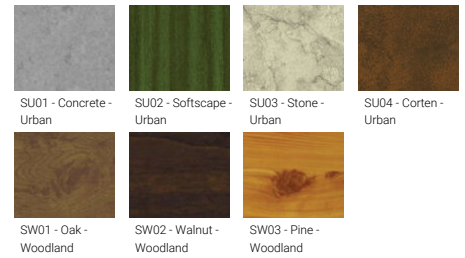


G

**Product colour**



**Special finishes upon request**

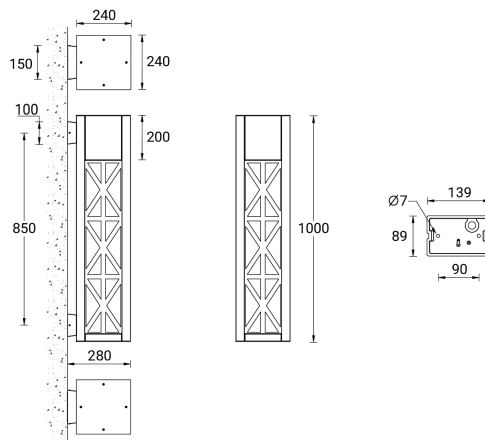


**VANCOUVER 71 (VA-30052)**

**Technical information**

|                      |                       |                              |  |                                 |   |  |
|----------------------|-----------------------|------------------------------|--|---------------------------------|---|--|
| <b>Material</b>      | Aluminium             | <b>Optic</b>                 | G  | <b>Lens / Reflector / Optic</b> | Clear toughened glass, High-efficiency optical reflector  |  |
| <b>Light source</b>  | 1 COB                 | <b>Optic value</b>           | 134°   | <b>MacAdam Ellipse</b>          | 3 SDCM  |  |
| <b>Power</b>         | 40 W                  | <b>CCT / CRI</b>             | 3000K CRI80, 4000K CRI80   | <b>Lifetime L90B10 (hours)</b>  | > 50,700  |  |
| <b>Lumen</b>         | 2586 - 2781 lm        | <b>Dimming type</b>          | On/Off, 1-10V, DALI  | <b>Lifetime L80B10 (hours)</b>  | > 63,500  |  |
| <b>Efficacy</b>      | 66 - 71 lm/W          | <b>Product colours</b>       | Black, Dark Grey, White, Matt Silver, Bronze, Concrete - Urban, Softscape - Urban, Stone - Urban, Corten - Urban, Oak - Woodland, Walnut - Woodland, Pine - Woodland | <b>Lifetime L80B50 (hours)</b>  | > 63,500  |  |
| <b>Driver option</b> | Integral control gear |                              |  | <b>Variants (1-10V, DALI)</b>   | Compatible with EN/ IEC 60598-2-22: Suitable for emergency installations as central supply, non-maintained (Z0) |  |
| <b>Driver</b>        | Constant current (CC) |                              |  |                                 |   |  |
| <b>Input voltage</b> | 220-240 V 50/60 Hz    |                              |  |                                 |   |  |
|                      |                       | <b>Weight</b>                | 15.8 kg  |                                 |   |  |
|                      |                       | <b>Operating temperature</b> | -20 °C to 40 °C  |                                 |   |  |
|                      |                       | <b>Through wiring</b>        | Single cable entry   |                                 |   |  |

VA-30052



**Accessories**



DALI Control System  
Control-DALI