

VEKTER 4 (VK-10012)



Product description

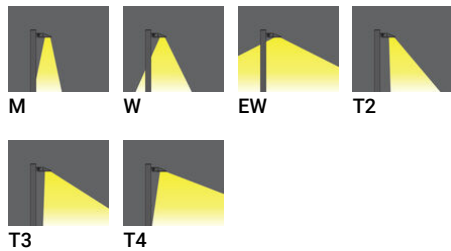
Ø102 - 1200 mm - 2 sides



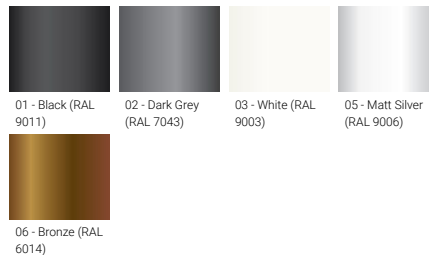
Luminaire Structure

- Die-cast aluminium housing
- Extruded aluminium column
- Pre-treated before powder coating ensuring high corrosion resistance
- Single cable entry
- One IP68 connector supplied with 0.2 m of 3x1.0 sqmm outdoor cable
- Stainless steel fasteners in grade 304 with zinc flake coating (ZFC)
- Durable silicone rubber gasket
- Clear toughened glass
- High-efficiency PMMA lens
- Integral control gear

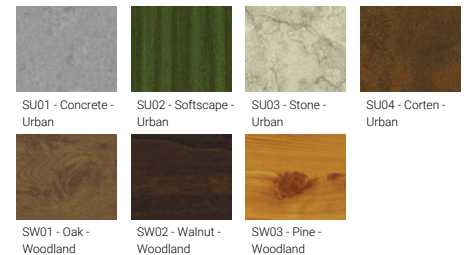
Optic



Product colour



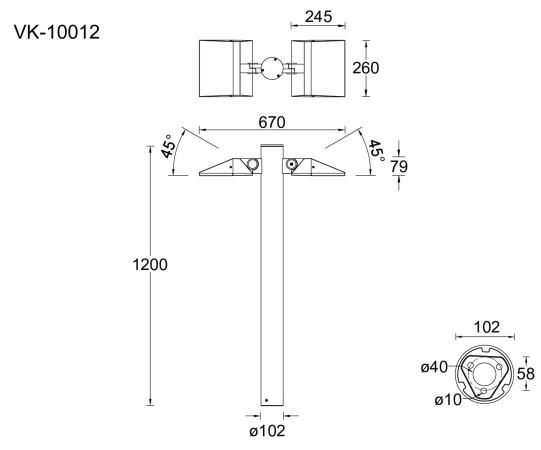
Special finishes upon request



VEKTER 4 (VK-10012)

Technical information

Material	Aluminium	Optic value	31°, 53°, 119°, 144°x50°, 139°x68°, 97°x77°	Operating temperature	-20 °C to 40 °C
Light source	2 x 12 LED	CCT / CRI	3000K CRI80, 4000K CRI80	Cable	One IP68 connector supplied with 0.2 m of 3x1.0 sqmm outdoor cable
Power	56 W	Bug	B1-U0-G0, B1-U0-G1, B2-U0-G0, B3-U0-G0	Through wiring	Single cable entry
Lumen	5746 - 6660 lm	ULR	0%	Lens / Reflector / Optic	Clear toughened glass, High-efficiency PMMA lens
Efficacy	103 - 119 lm/W	ULOR	0%	MacAdam Ellipse	3 SDCM
Driver option	Integral control gear	CIE flux code n°3	97, 99	Lifetime L90B10 (hours)	> 90,000
Driver	Constant current (CC)	Dimming type	On/Off, DALI	Lifetime L80B10 (hours)	> 90,000
Input voltage	220-240 V 50/60 Hz	Product colours	Black, Dark Grey, White, Matt Silver, Bronze, Concrete - Urban, Softscape - Urban, Stone - Urban, Corten - Urban, Oak - Woodland, Walnut - Woodland, Pine - Woodland	Lifetime L80B50 (hours)	> 90,000
Optic	M, W, EW, T2, T3, T4		Weight	11.2 kg	Variants (On/Off, DALI)



Accessories



Anchor bolt
A10791



DALI Control System
Control-DALI