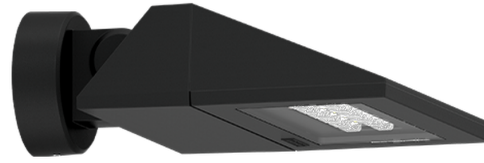


VEKTER 9 (VK-30022)



Product description

Mounting box - Medium



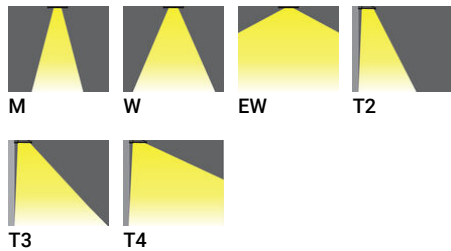
Luminaire Structure

- Die-cast aluminium housing and frame
- Pre-treated before powder coating ensuring high corrosion resistance
- Two cable entries for through wiring
- Stainless steel fasteners in grade 304 with zinc flake coating (ZFC)

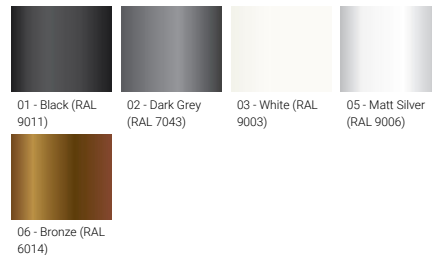
- Durable silicone rubber gasket
- Clear toughened glass
- High-efficiency PMMA lens
- Integral control gear

- Optional surface mounting box for easy wiring or conduit connection when wiring from behind is not possible

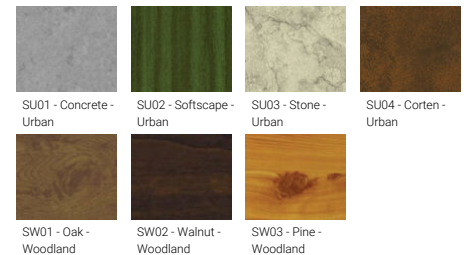
Optic



Product colour



Special finishes upon request



VEKTER 9 (VK-30022)

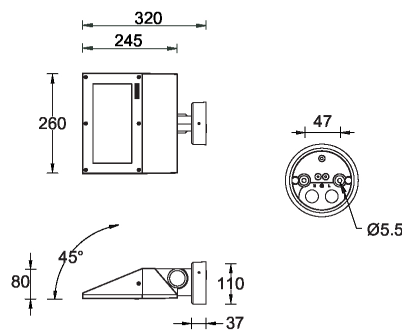
Technical information

| | |
|----------------------|-----------------------|
| Material | Aluminium |
| Light source | 12 LED |
| Power | 28 W |
| Lumen | 2873 - 3330 lm |
| Efficacy | 103 - 119 lm/W |
| Driver option | Integral control gear |
| Driver | Constant current (CC) |
| Input voltage | 220-240 V 50/60 Hz |
| Optic | M, W, EW, T2, T3, T4 |

| | |
|------------------------------|--|
| Optic value | 31°, 53°, 110°, 144°x50°, 139°x68°, 97°x77° |
| CCT / CRI | 3000K CRI80, 4000K CRI80 |
| Bug | B1-U0-G0, B1-U0-G1, B2-U0-G0, B3-U0-G0 |
| ULOR | 0% |
| CIE flux code n°3 | 97%, 99% |
| Dimming type | On/Off, DALI |
| Product colours | Black, Dark Grey, White, Matt Silver, Bronze, Concrete - Urban, Softscape - Urban, Stone - Urban, Corten - Urban, Oak - Woodland, Walnut - Woodland, Pine - Woodland |
| Weight | 4.6 kg |
| Operating temperature | -20 °C to 40 °C |

| | |
|---------------------------------|---|
| Through wiring | Two cable entries for through wiring |
| Lens / Reflector / Optic | Clear toughened glass, High-efficiency PMMA lens |
| MacAdam Ellipse | 3 SDCM |
| Lifetime L90B10 (hours) | > 90,000 |
| Lifetime L80B10 (hours) | > 90,000 |
| Lifetime L80B50 (hours) | > 90,000 |
| Variants (DALI) | Compatible with EN/ IEC 60598-2-22: Suitable for emergency installations as central supply, non-maintained (Z0) |

VK-30022



Accessories



Surface mounting box for easy cabling (VEKTER 9)
SCE-VEKTER-9